

# Probe Holder S

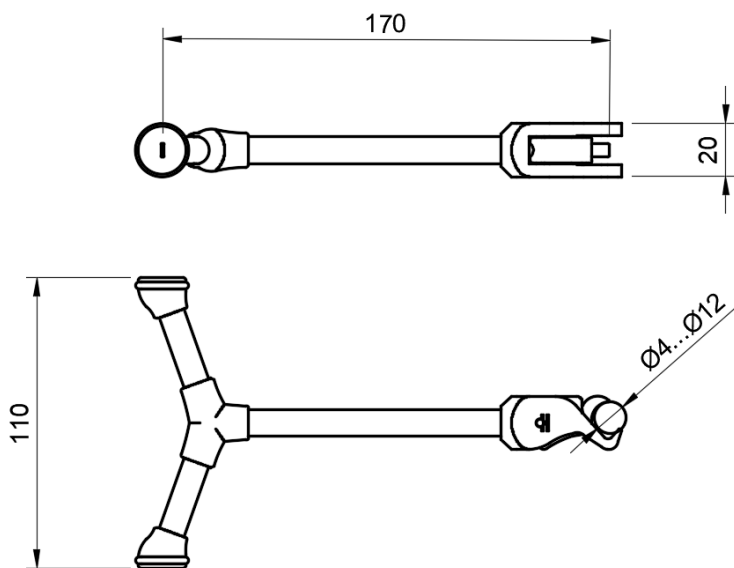
Revision 1.0

The Probe Holder S is a simple and easy to use holder for measurements with oscilloscope and multimeter probes.

The versatile clamp allows mounting of a broad variety of probes.

## Features:

- Versatile clamp compatible with most oscilloscope and multimeter probes. Requirements: probe diameters from 4mm to 12mm; minimal shaft length 20mm
- Temperature range: -20°C to 40°C



units: mm

