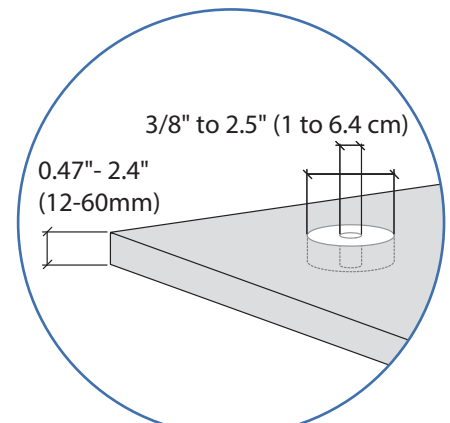
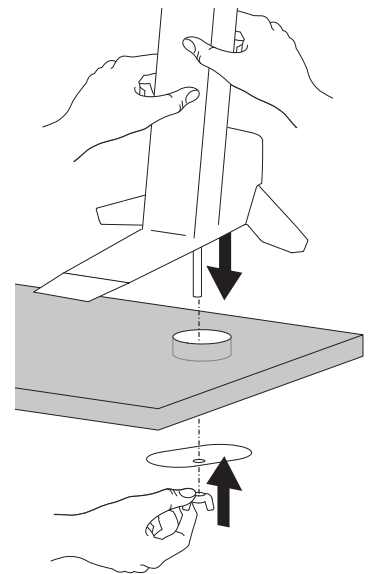
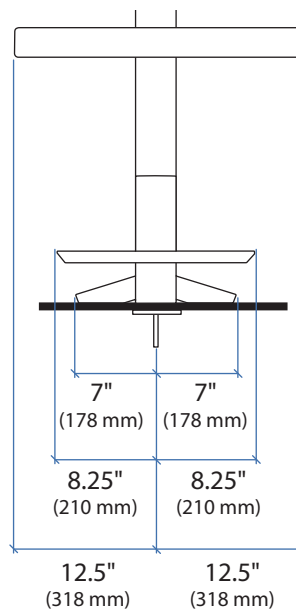
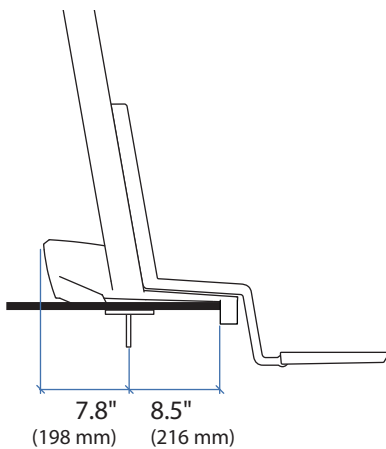


Grommet Mount for WorkFit-S



Bolt must be centered in hole.