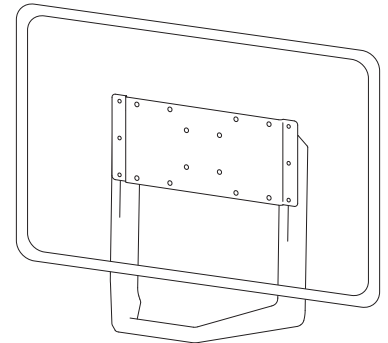


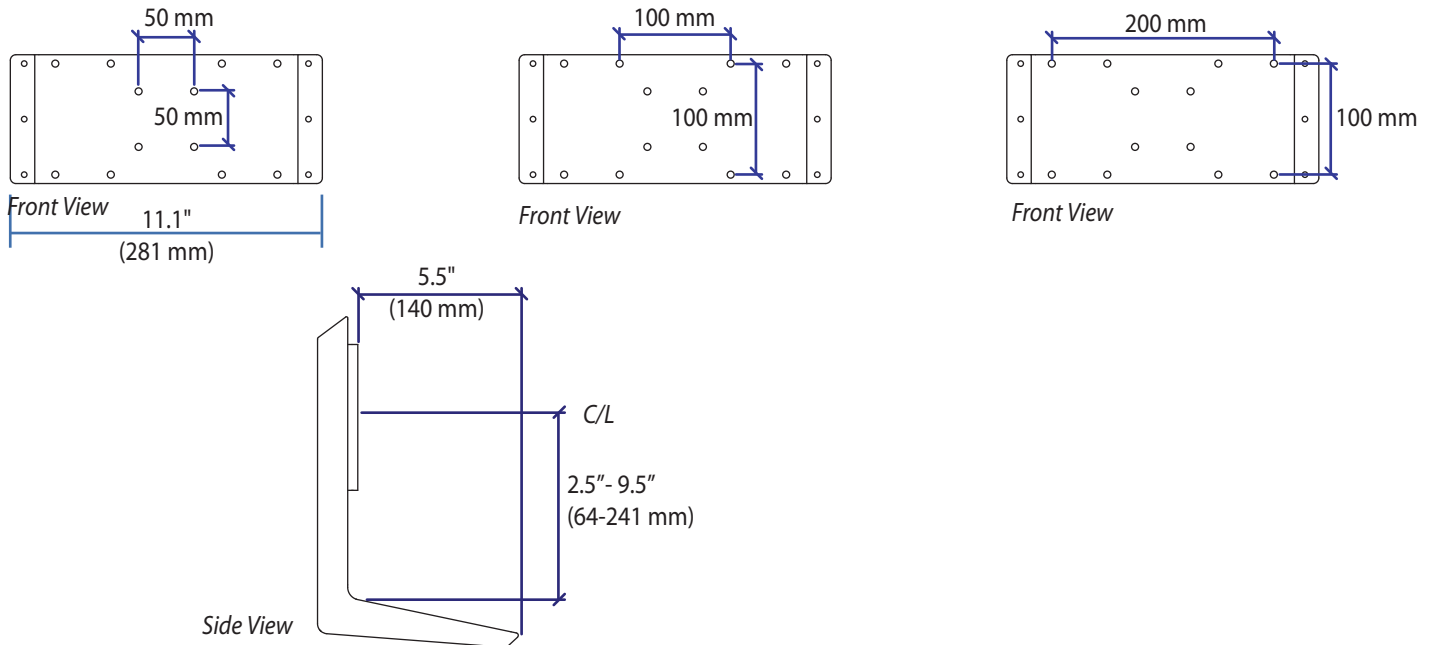
# Monitor Handle Kit

There are 5 ways to mount this product based on what mounting solution and display you are attaching this product to.

- A. Attach to mounting solution with 50 x 50 mm hole pattern and display with 100x100mm hole pattern.
- B. Attach to mounting solution with 50 x 50 mm hole pattern and display with 200x100mm hole pattern.
- C. Attach to mounting solution and display with 100 x 100 mm mounting hole pattern.
- D. Attach to mounting solution and display with 200 x 100 mm mounting hole pattern.
- E. Attach to mounting solution with 100 x 100 mm hole pattern and display with 200x100mm hole pattern.



## Dimensions



## Weight Capacity

**This product adds an additional 2.9 lbs. (1.3 kg) to your mounting solution. Your mounting solution's monitor weight capacity must be reduced by 2.9 lbs. (1.3 kg) when using standard monitors less than or equal to 2.5" (64 mm) thick. Additional reduction will be required if monitors are greater than 2.5" (64 mm) thick.**