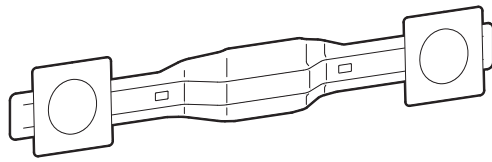
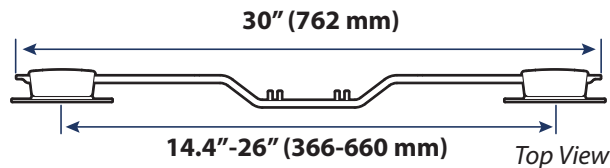
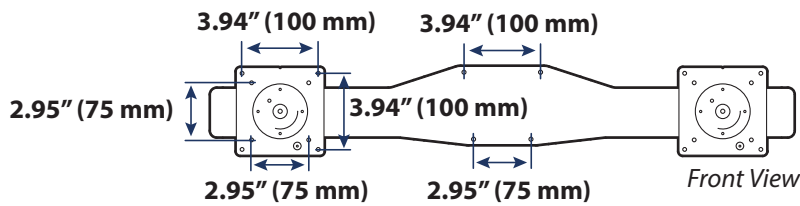


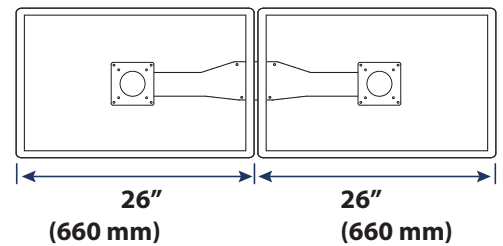
CareFit™ Combo Dual Monitor Kit



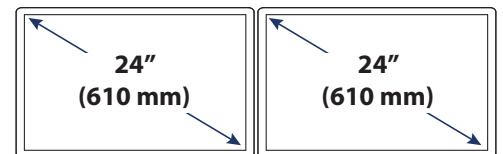
DIMENSIONS



Max Monitor Width

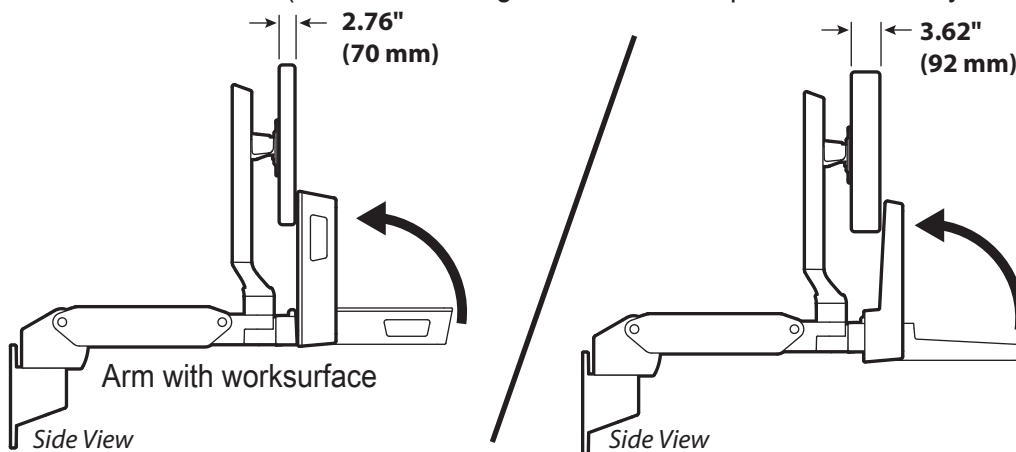


Max Monitor Size



This product is designed to hold most monitors up to 24" (610 mm). Some monitors may have a width greater than 26" (660 mm) and will not fit on this product.

Max Monitor Thickness (before interfering with the folded up worksurface/keyboard tray):



Download additional resources at ergotron.com

USA & Canada Sales & Corporate Headquarters: St. Paul, MN USA / 800.888.8458 / +1.651.681.7600 / insidesales@ergotron.com

EMEA Sales: Amersfoort, The Netherlands / +31.33.45.45.600 / info.eu@ergotron.com

APAC Sales: Sydney, Australia / apaccustomerservice@ergotron.com

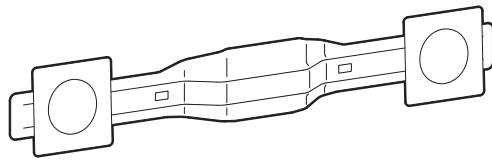
LATAM Sales: info.latam@ergotron.com

Worldwide Custom Sales: custom@ergotron.com

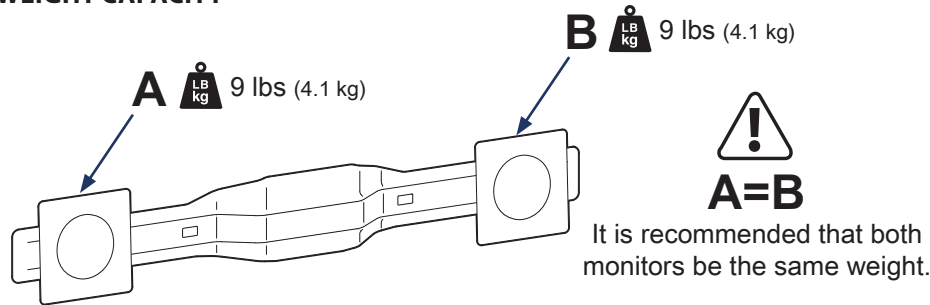
Ergotron devices are not intended to cure, treat, mitigate or prevent any disease. Patent information available at www.ergotron.com/patents

© 2023 Ergotron, Inc. rev. 06/14/2023 DIM-CfcomboDual **Content is subject to change without notification**

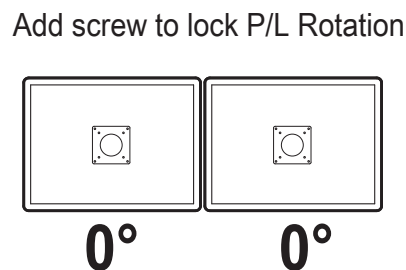
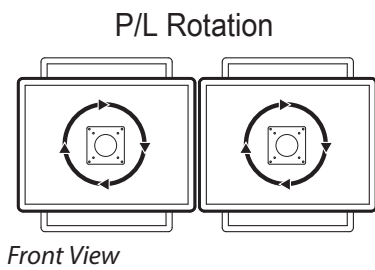
CareFit™ Combo Dual Monitor Kit



WEIGHT CAPACITY



RANGE OF MOTION



Slight Monitor Tilt

