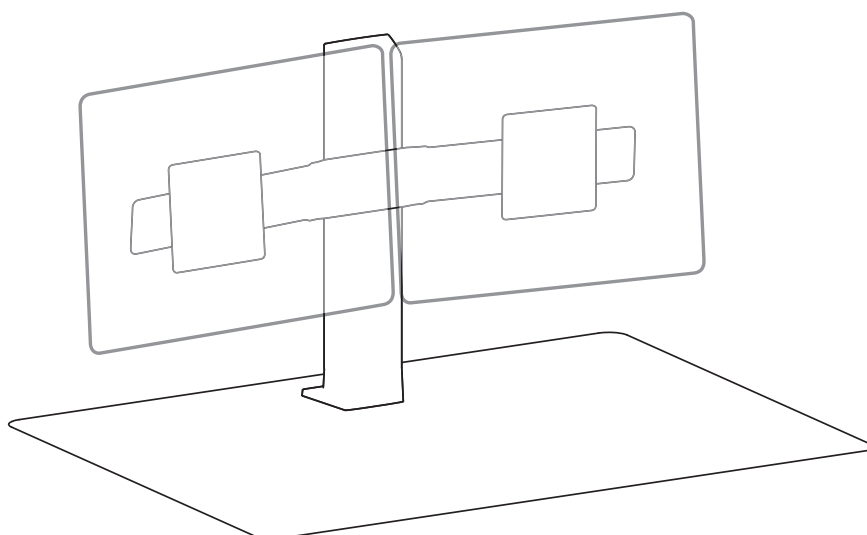


ergotron®

Dual Monitor Kit

for WorkFit-T, TL, TLE, TX, and Corner Desk Converters



English



For the latest User Installation Guide please visit: www.ergotron.com

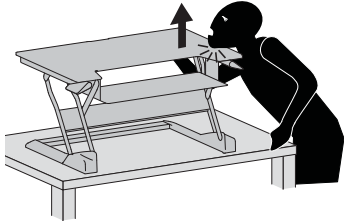
English, Español, Français, Deutsch, Nederlands, Italiano, Türkçe, 日本語, 汉语

www.ergotron.com | USA: 1-800-888-8458 | Europe: +31 (0)33-45 45 600 | China: 400-120-3051 | Japan: japansupport@ergotron.com

Safety



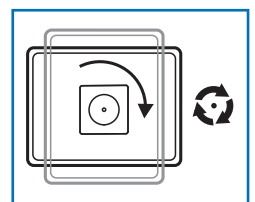
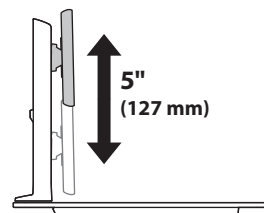
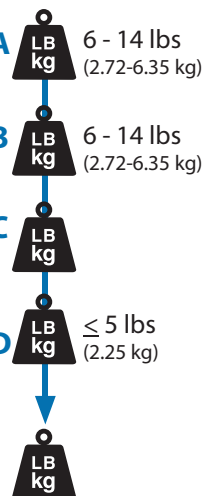
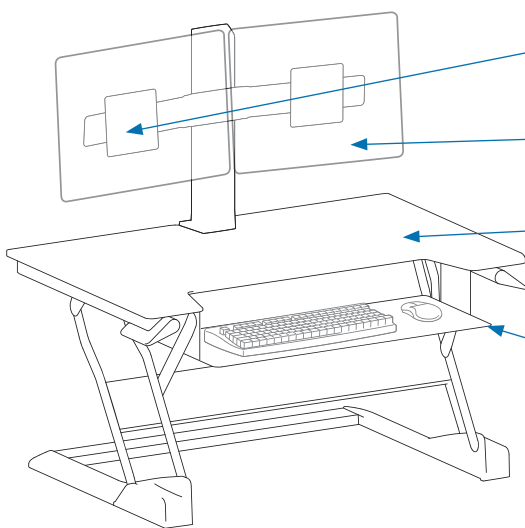
Important! You will need to adjust this product after installation is complete. Make sure all your equipment is properly installed on the product before attempting adjustments. This product should move smoothly and easily through the full range of motion and stay where you set it. If movements are too easy or difficult or if product does not stay in desired positions, follow the adjustment instructions to create smooth and easy movements. Depending on your product and the adjustment, it may take many turns to notice a difference. Any time equipment is added or removed from this product, resulting in a change in the weight of the mounted load, you should repeat these adjustment steps to ensure safe and optimum operation.



Warning: Impact Hazard! Moving Parts can Crush and Cut.
 Raise worksurface to top of vertical adjustment **BEFORE** removing equipment.
 Failure to heed this warning may result in serious personal injury and or property damage!



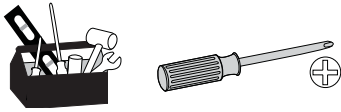
Warning: Impact Hazard! Moving Parts can Crush and Cut.
 Raise monitor to top of vertical adjustment before removing.

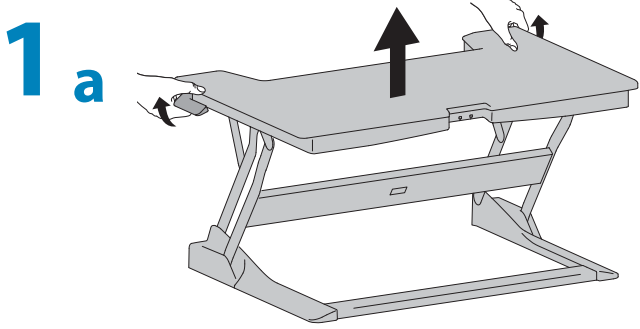


A+B+C+D ≤ WorkFit-T: 25.3 lbs (11.48 kg)
WorkFit-TL: 30.3 lbs (13.74 kg)
WorkFit-TLE: 30.3 lbs (13.74 kg)
WorkFit-TX: 30.3 lbs (13.74 kg)
WorkFit-Corner: 25.3 lbs (11.48 kg)

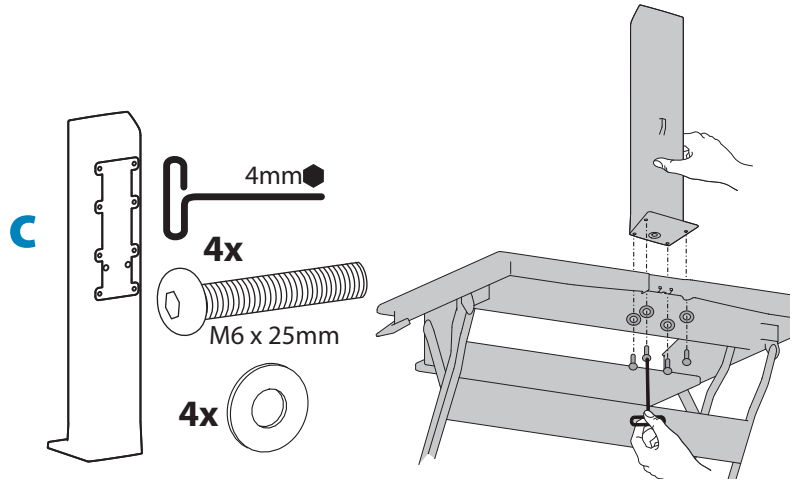
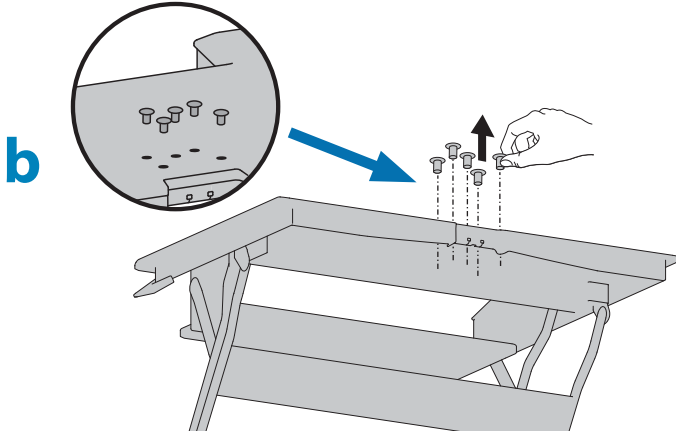


	A	B	C	D	E
1	1x	1x		4x	8x
2				2x	8x
3		1x	2x	2x	4x
4	2x	1x	2x	4x	8x

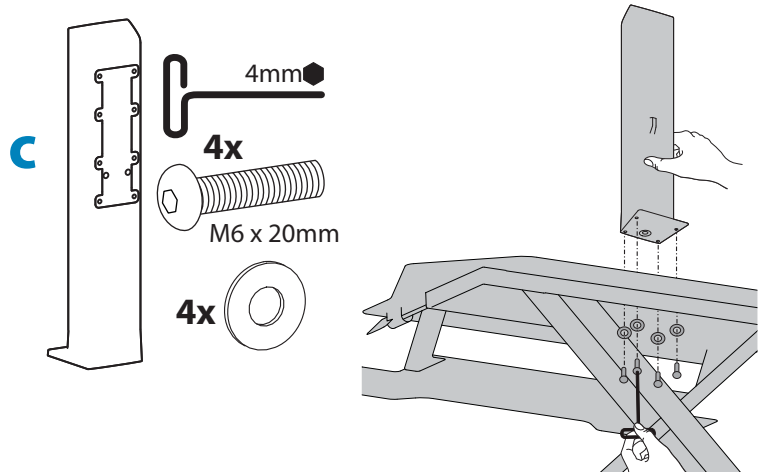
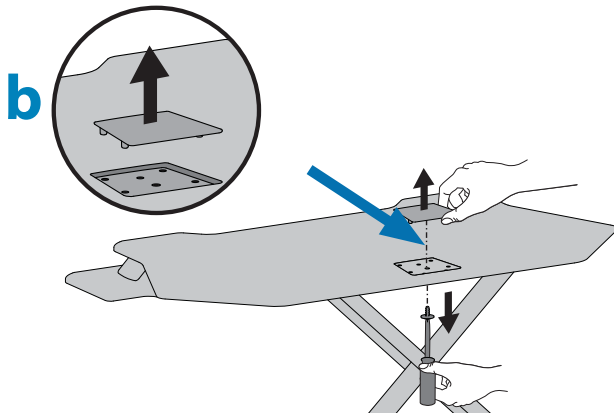




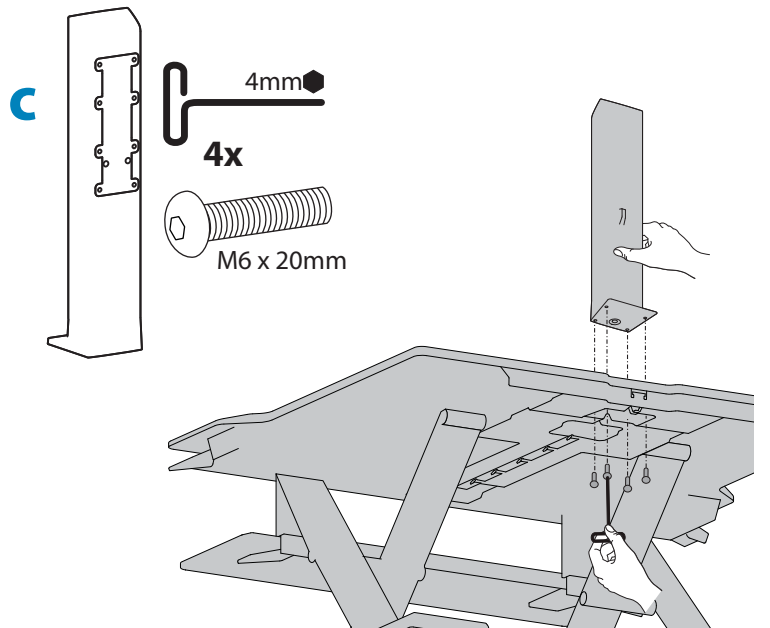
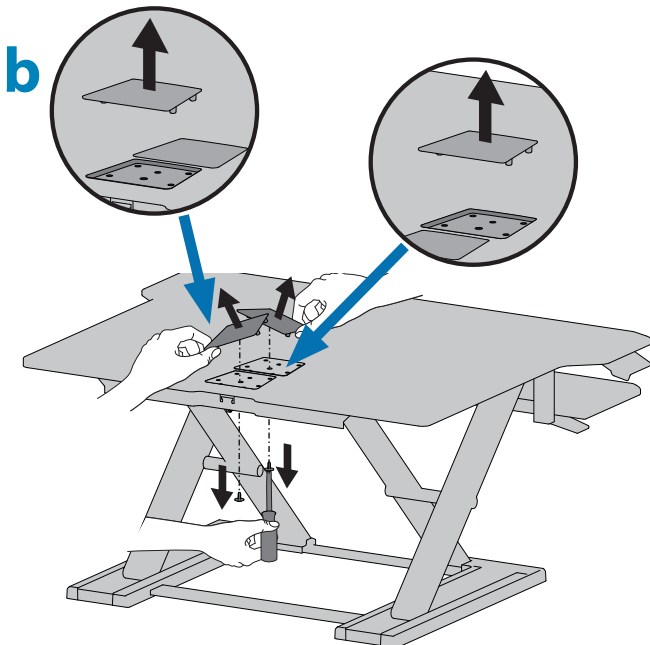
WorkFit -T, TL, TLE



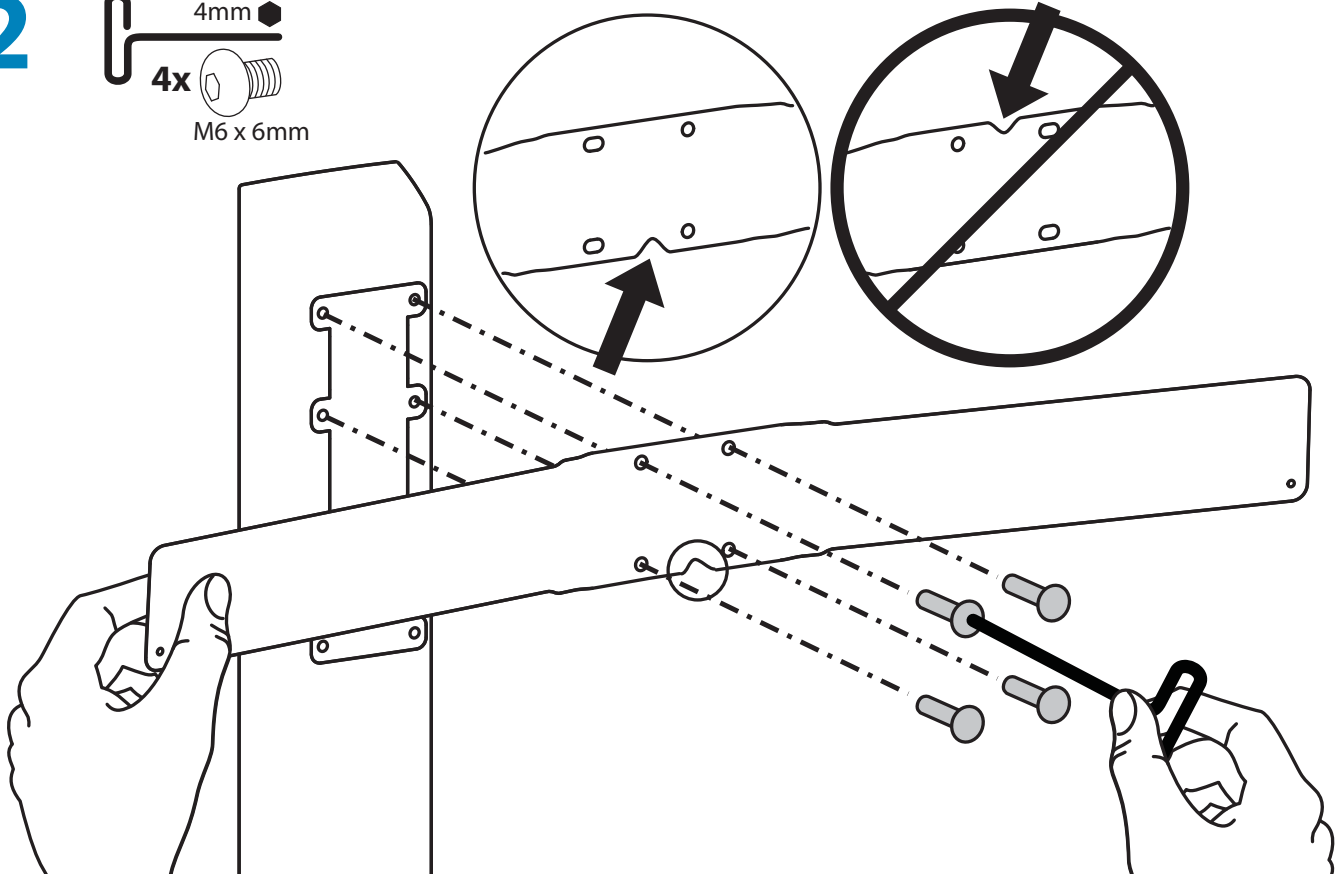
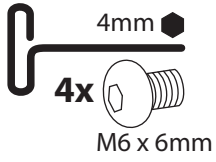
WorkFit -T Corner



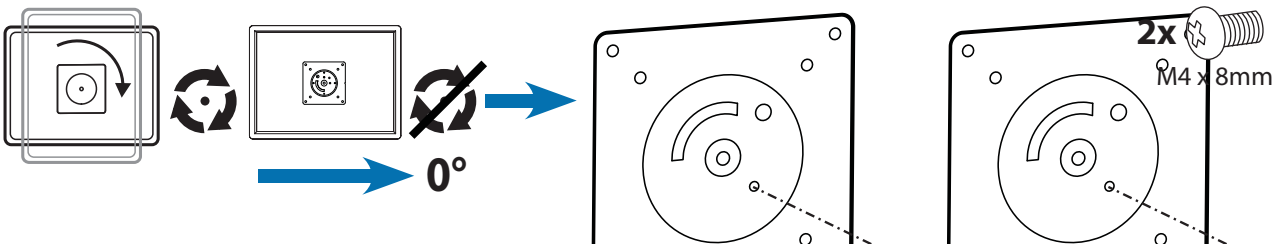
WorkFit -TX



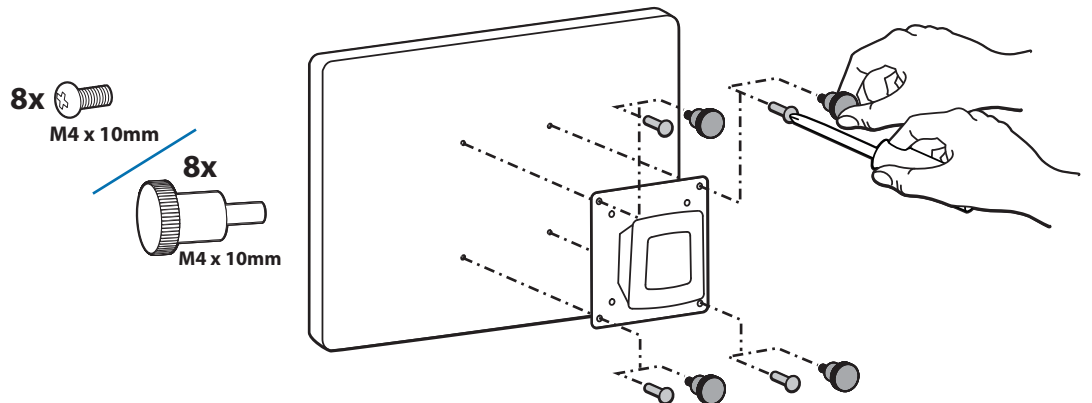
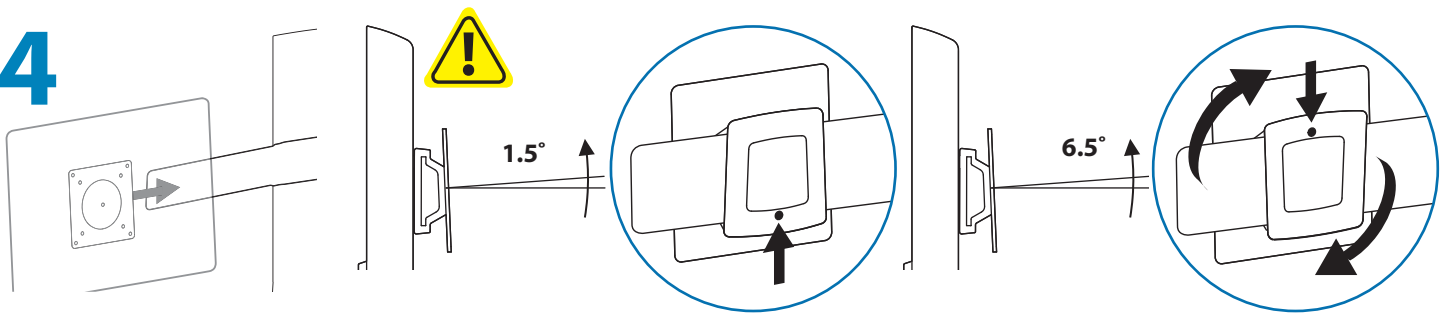
2



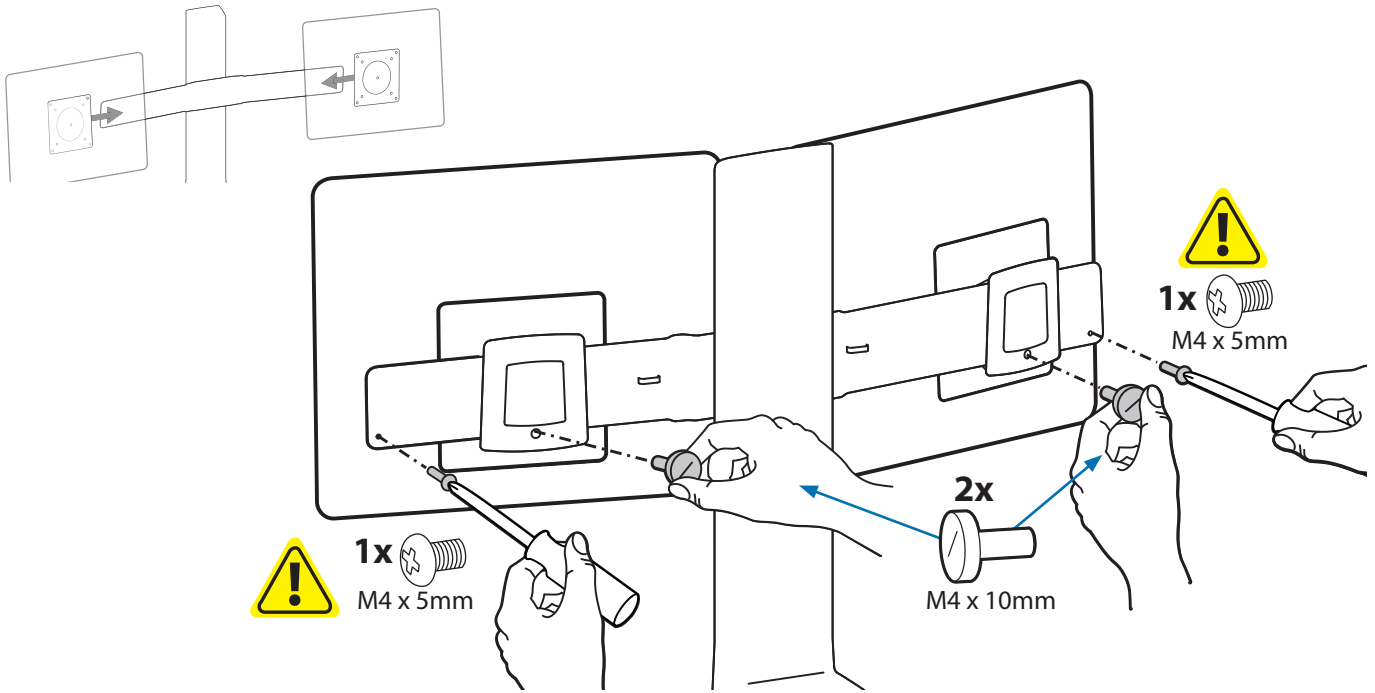
3



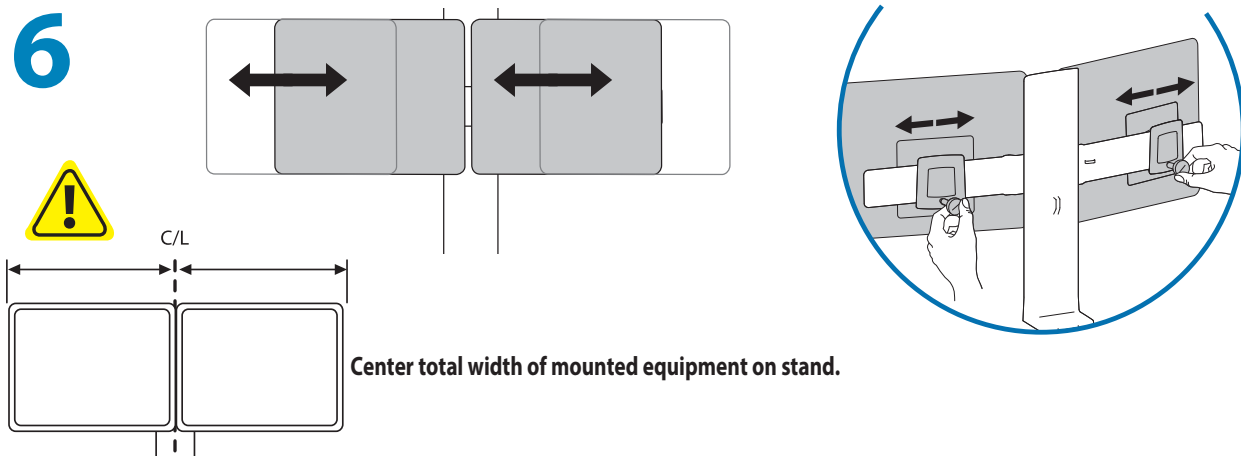
4



5

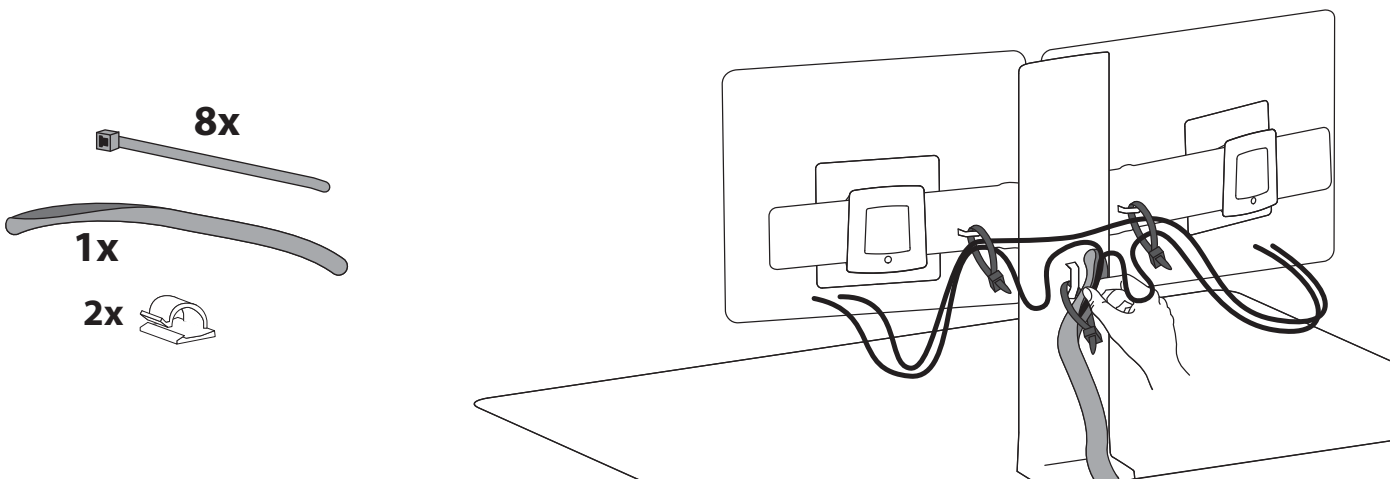


6



7

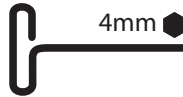
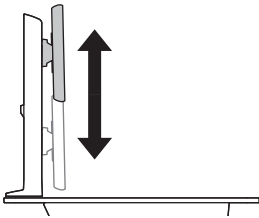
NOTE: Leave enough slack in cable to allow full range of motion.
 Caution: To avoid the potential to pinch cables it is important to follow the cable routing instructions in this manual.
 Failure to follow these instructions may result in equipment damage or personal injury.



8 Adjustment Step

Important! You will need to adjust this product after installation is complete. Make sure all your equipment is properly installed on the product before attempting adjustments. This product should move smoothly and easily through the full range of motion and stay where you set it. If movements are too easy or difficult or if product does not stay in desired positions, follow the adjustment instructions to create smooth and easy movements. Depending on your product and the adjustment, it may take many turns to notice a difference. Any time equipment is added or removed from this product, resulting in a change in the weight of the mounted load, you should repeat these adjustment steps to ensure safe and optimum operation.

a



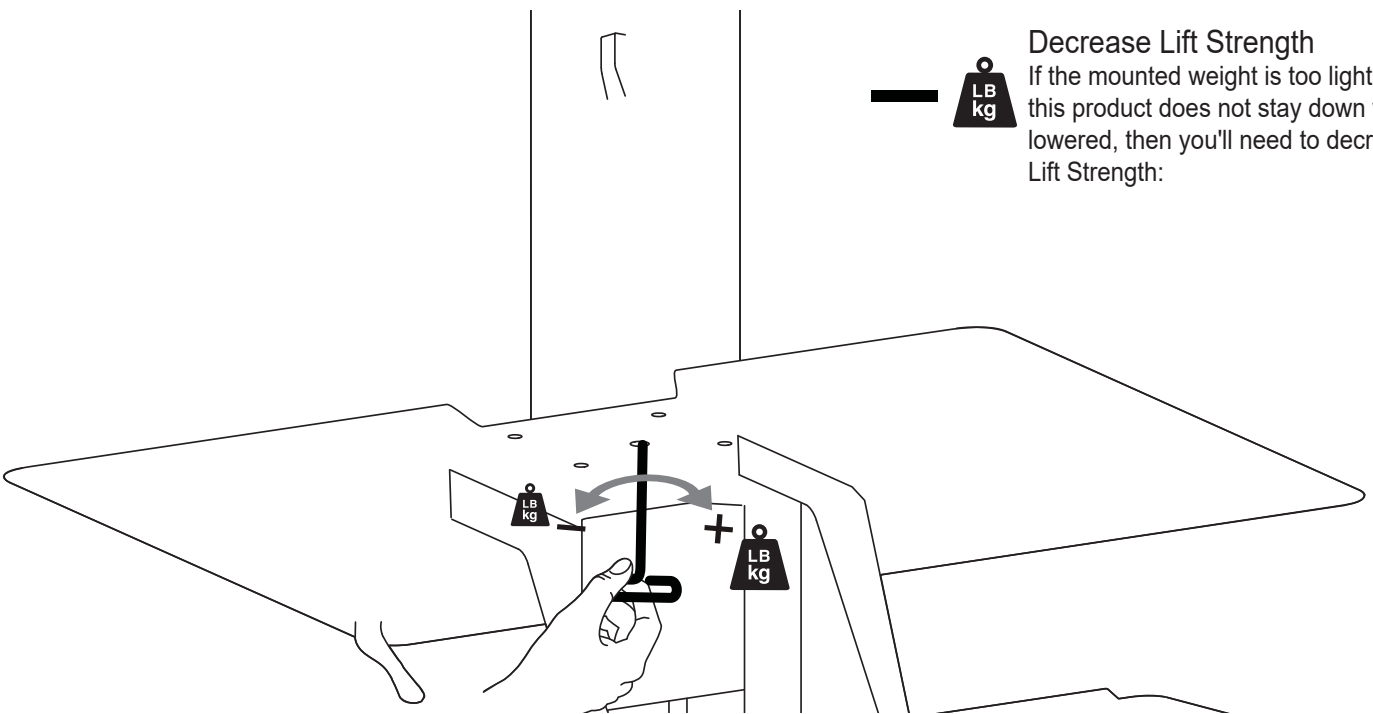
Increase Lift Strength

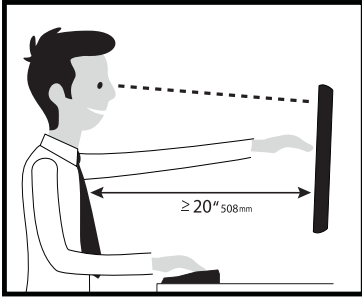
If the mounted weight is too heavy or this product does not stay up when raised, then you'll need to increase Lift Strength:



Decrease Lift Strength

If the mounted weight is too light or this product does not stay down when lowered, then you'll need to decrease Lift Strength:





Ready to get moving on an active workstyle? Check out www.ergotron.com/tips to get started.

Learn more about ergonomic computer use at: www.ergotron.com/ergonomics

ergotron®

www.ergotron.com | USA: 1-800-888-8458 | Europe: +31 (0)33-45 45 600 | China: 400-120-3051 | Japan: japansupport@ergotron.com

For Warranty visit: www.ergotron.com/warranty

For Service visit: www.ergotron.com

For local customer care phone numbers visit: <http://contact.ergotron.com>

© 2014 Ergotron, Inc. All rights reserved.

While Ergotron, Inc. makes every effort to provide accurate and complete information on the installation and use of its products, it will not be held liable for any editorial errors or omissions (including those made in the process of translation from English to another language), or for incidental, special or consequential damages of any nature resulting from furnishing this instruction and performance of equipment in connection with this instruction. Ergotron, Inc. reserves the right to make changes in the product design and/or product documentation without notification to its users. For the most current product information, or to know if this document is available in languages other than those herein, please contact Ergotron. No part of this publication may be reproduced, stored in a retrieval system, or transmitted in any form or by any means, electronic, mechanical, photocopying, recording or otherwise without the prior written consent of Ergotron, Inc., 1181 Trapp Road, Eagan, Minnesota, 55121, USA Patents Pending and Patented U.S. & Foreign. Ergotron is a registered trademark of Ergotron, Inc.