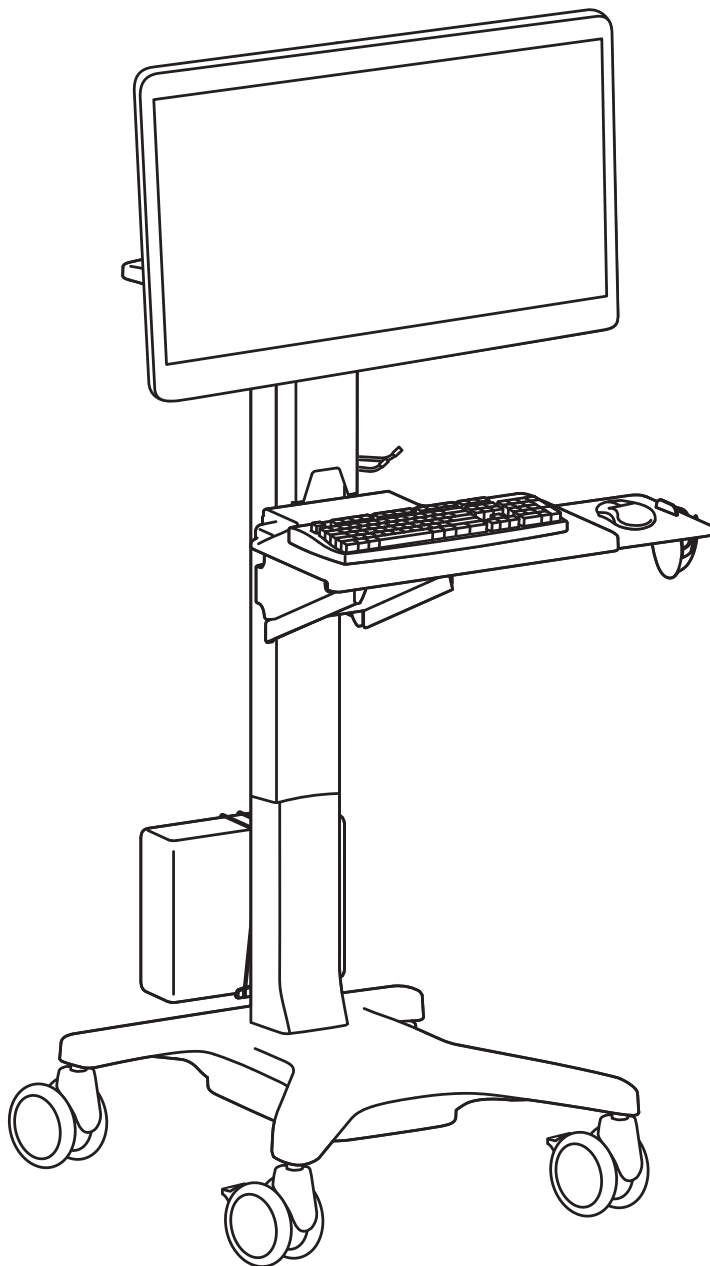


# ergotron®

## Neo-Flex™ WideView Workspace



English



For the latest User Installation Guide please visit: [www.ergotron.com](http://www.ergotron.com)

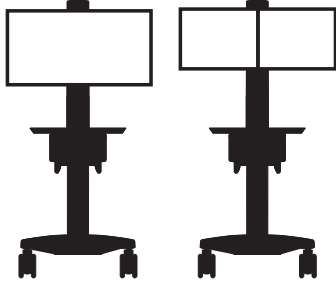
English, Español, Français, Deutsch, Nederlands, Italiano, Svenska, 日本語, 汉语

[www.ergotron.com](http://www.ergotron.com) | USA: 1-800-888-8458 | Europe: +31 (0)33-45 45 600 | China: 400-120-3051 | Japan: [japansupport@ergotron.com](mailto:japansupport@ergotron.com)

# Safety

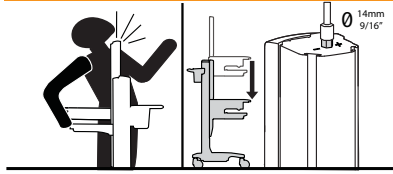
## ⚠️ WARNING

DO NOT load Cart below minimum or above maximum weight capacities. DO NOT mount a display larger than the recommended size. Failure to comply with warning may result in Cart instability leading to equipment damage or personal injury.



Min. 14 lbs (6.35 kg)    Min. 11 lbs (5 kg)  
Max. 49 lbs (22.2 kg)    Max. 46 lbs (20.9 kg)

## ⚠️ WARNING



### Impact Hazard!

**Moving Parts can Crush and Cut.**

**Minimize Lift Tension BEFORE Removing Mounted Equipment.**

**To Minimize Lift Tension**

1. Lower worksurface to lowest position.
2. Turn adjustment nut at top of riser counterclockwise until it stops (may require 40-60 turns to minimize lift tension).
3. After removing or adding equipment adjust lift tension to compensate for weight of new load.

**Failure to heed this warning may result in serious personal injury or property damage!**

## ⚠️ WARNING

**STORED ENERGY HAZARD!**  
DO NOT OPEN TOWER OR BASE.  
DO NOT REMOVE SAFETY GUARD.

A primary mechanism within the Cart is under tension and can be hazardous to people exposed to it under certain conditions.

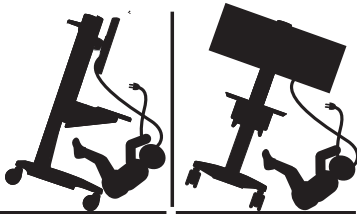
DO NOT open the Cart tower or base. DO NOT attempt to service the Cart. DO NOT remove safety guards or labels designed to protect or inform of possible hazards.

Only Ergotron-approved installers may service or otherwise modify Cart. Failure to heed this Warning may result in serious Personal Injury and Damage both to the cart and equipment.

240-027-00



## ⚠️ WARNING



### TIPPING HAZARD!

DO NOT allow children to climb on Cart.  
DO NOT route electric cords or equipment cables within reach of children.

LOCK CASTERS when Cart is stationary.  
DO NOT move Cart with Display in highest position.

DO NOT move Cart over cords or uneven, dirty, soft or sloping surfaces.

DO NOT move Cart by pushing on Display.  
Failure to comply with this warning may result in Cart instability leading to equipment damage or personal injury.



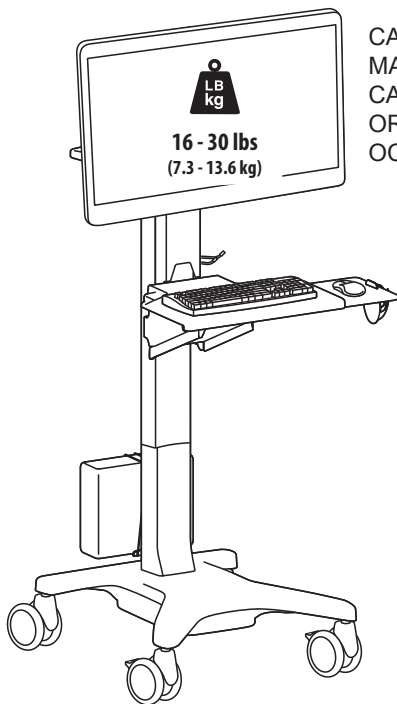
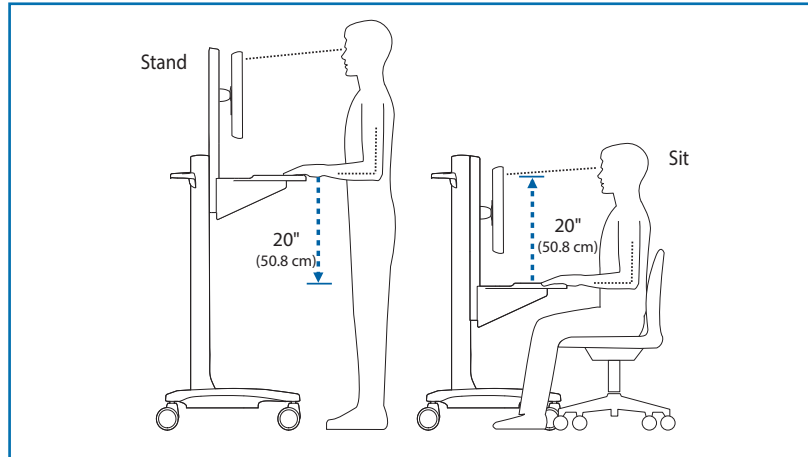
### TO MOVE CART

1. Push Display down to lowest position.
2. Disconnect power cord and secure to Cart.
3. Unlock casters; point casters in direction of travel.
4. Use rear handle to push Cart.

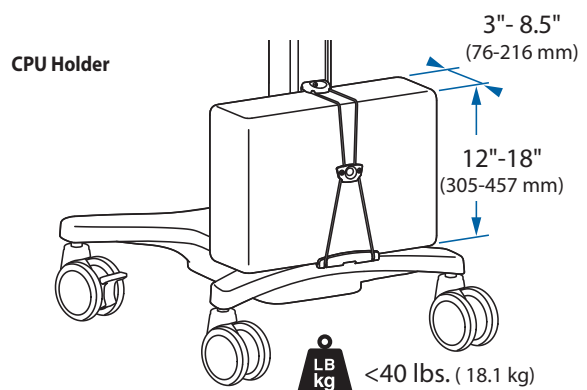
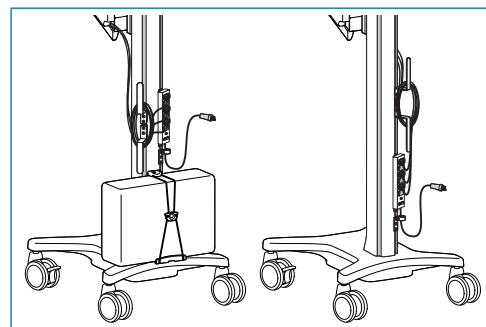
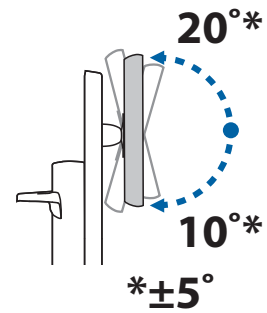


Important! You will need to adjust this product after installation is complete. Make sure all your equipment is properly installed on the product before attempting adjustments. This product should move smoothly and easily through the full range of motion and stay where you set it. If movements are too easy or difficult or if product does not stay in desired positions, follow the adjustment instructions to create smooth and easy movements. Depending on your product and the adjustment, it may take many turns to notice a difference. Any time equipment is added or removed from this product, resulting in a change in the weight of the mounted load, you should repeat these adjustment steps to ensure safe and optimum operation.

## Features & Specifications



CAUTION: DO NOT EXCEED MAXIMUM LISTED WEIGHT CAPACITY. SERIOUS INJURY OR PROPERTY DAMAGE MAY OCCUR!

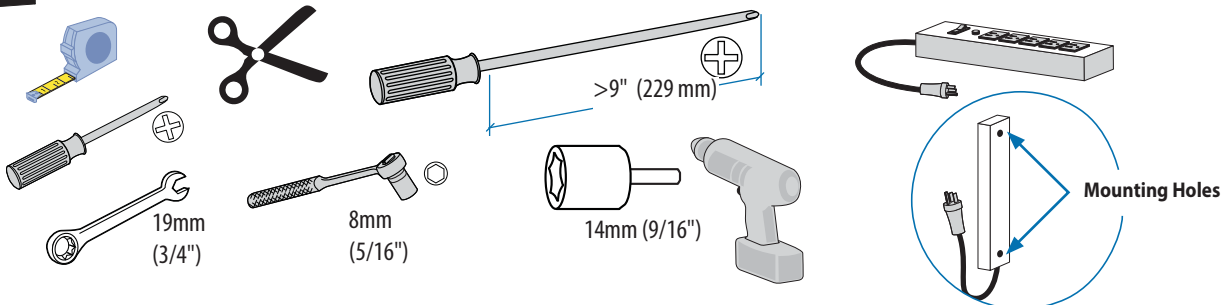


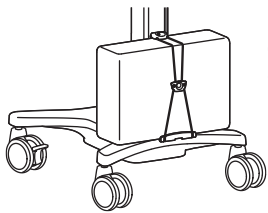
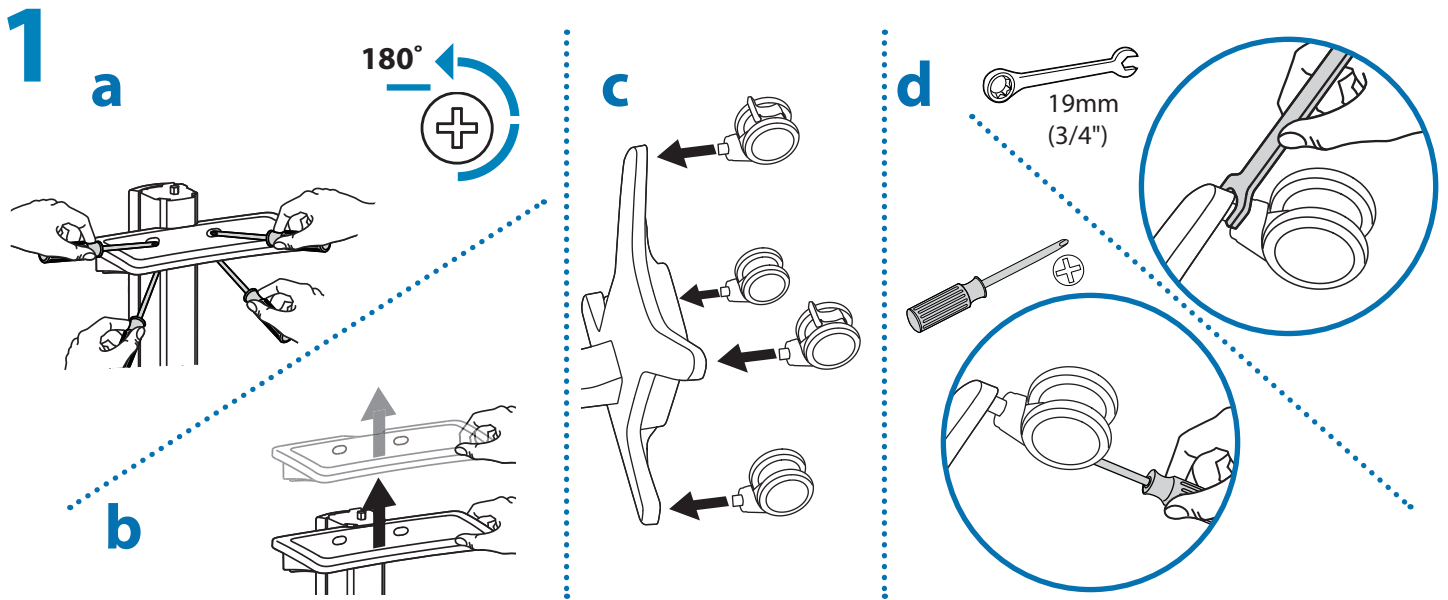
# Components



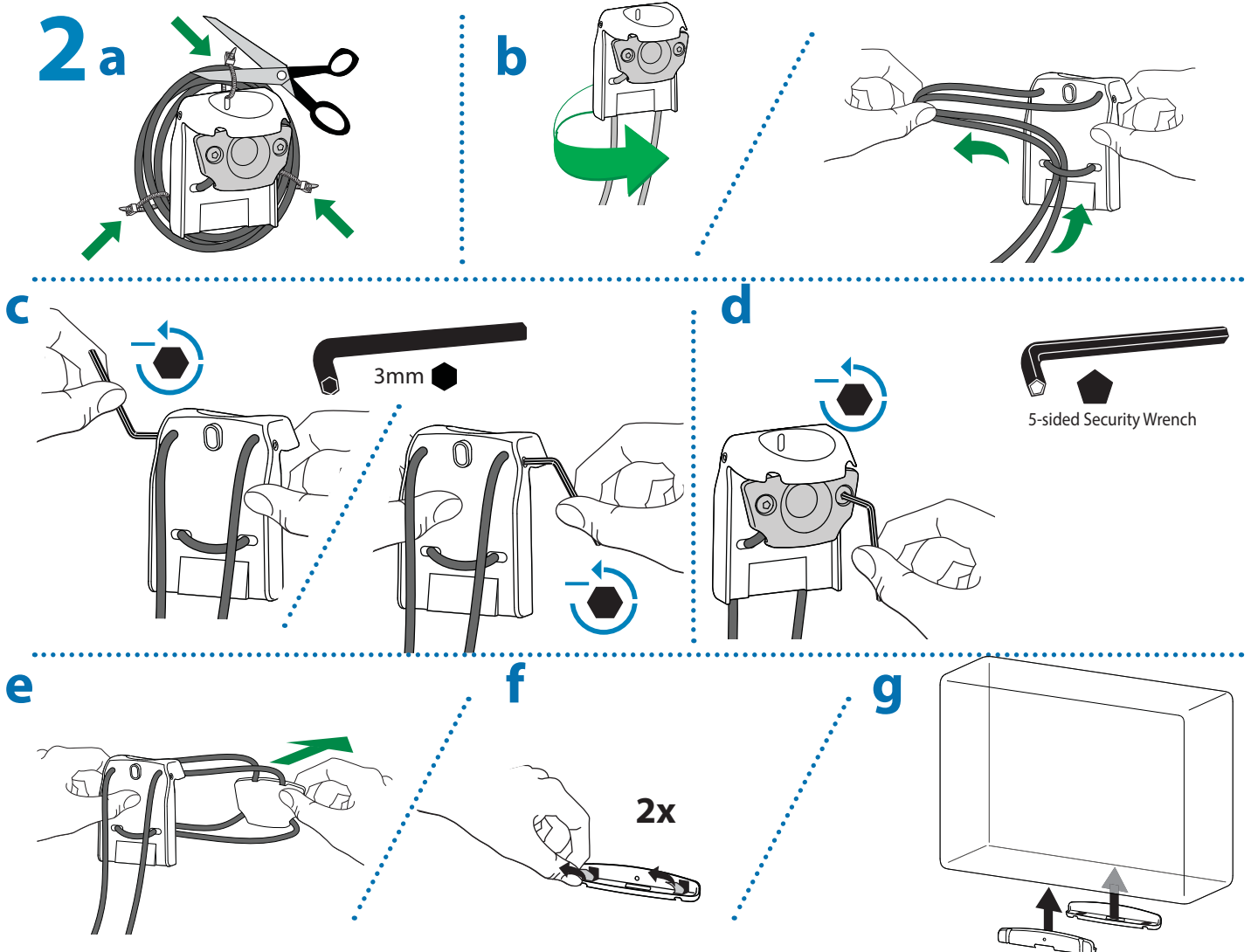
	A	B	C	D	E	F
1	<b>1x</b> 		<b>CPU Holder</b> <b>1x</b> 		<b>1x</b>  M5 x 18mm Security Screw	<b>1x</b>  3mm
2						
3				<b>1x</b> 	<b>1x</b> 	<b>1x</b>  5-sided Security Wrench
4				<b>2x</b> 		<b>4x</b> 
5	<b>2x</b> 	<b>2x</b> 	<b>1x</b> 	<b>2x 2x</b>  M5 x 10mm	<b>1x</b> 	<b>4x</b>  M6x33mm
6	<b>1x</b> 	<b>1x</b> 			<b>2x</b> 	<b>1x</b> 
7	<b>1x 1x</b> 	<b>4x</b>  M6 x 14mm <b>1x</b>  M3 x 6mm	<b>4x</b>  M4 x 12mm	<b>1x</b>  M5 x 8mm	<b>4x</b> 	<b>2x</b>  <b>2x</b> 
8	<b>4x</b>  M5 x 7mm	<b>4x</b>  M5 x 12mm	<b>4x</b>  M6 x 12mm	<b>4x</b>  M5 x 20mm	<b>4x</b>  M8M5 Converter	
9	<b>1x</b> 		<b>2x</b> 	<b>1x</b> 	<b>4x</b> 	

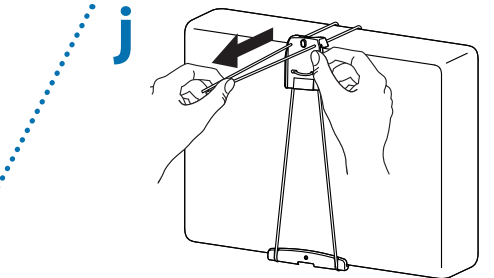
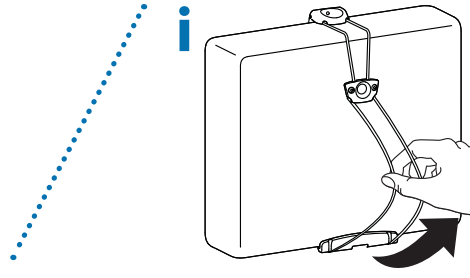
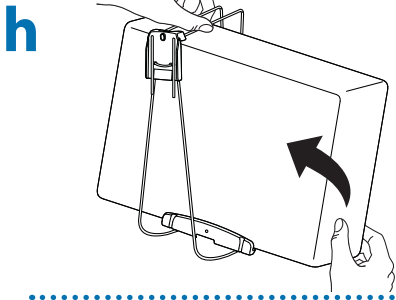
# Tools Needed





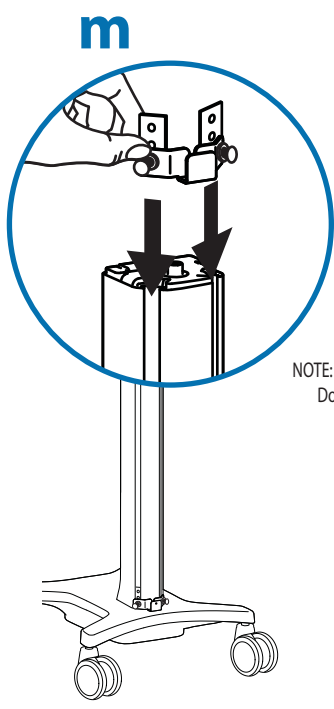
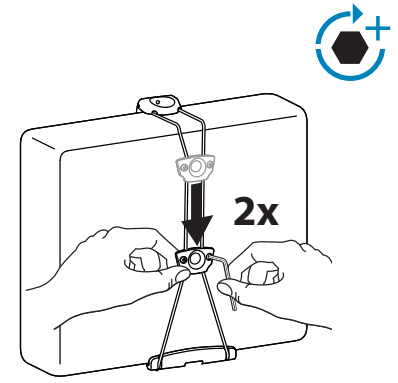
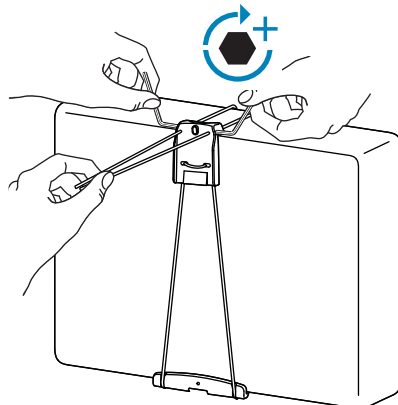
**CPU Holder** NOTE: If you are not attaching a CPU to your cart, skip step 2 and proceed to step 3.



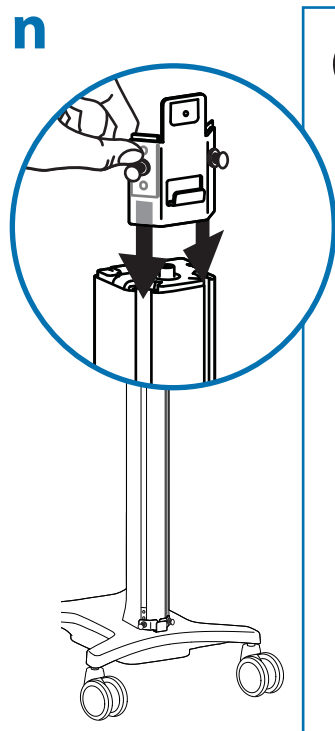


**k**

Caution: Do Not over tighten fasteners.

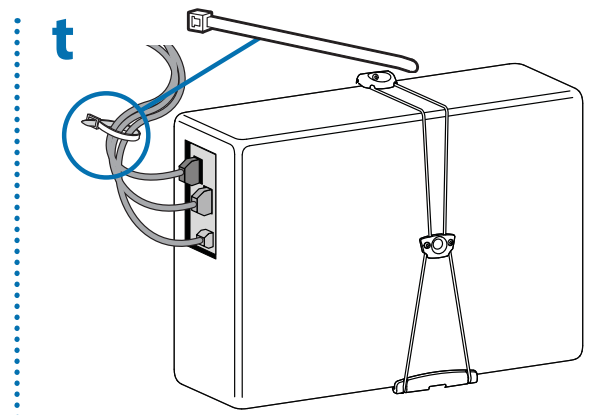
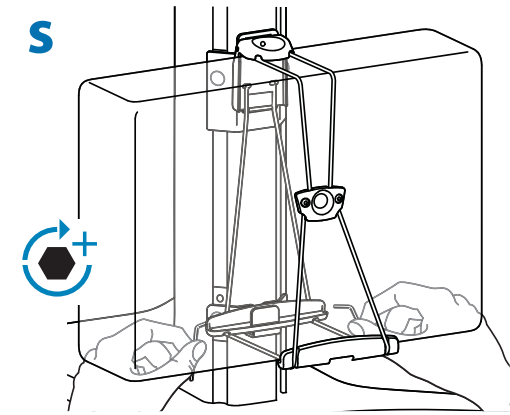
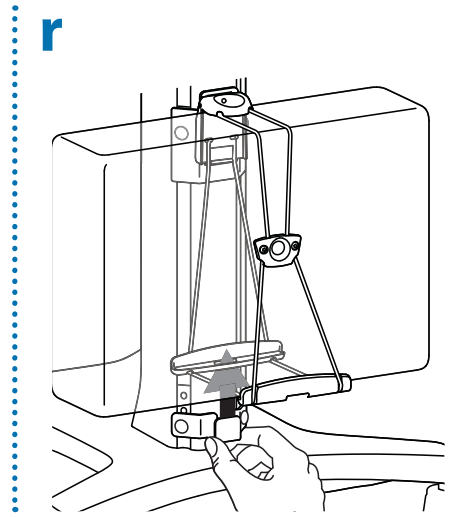
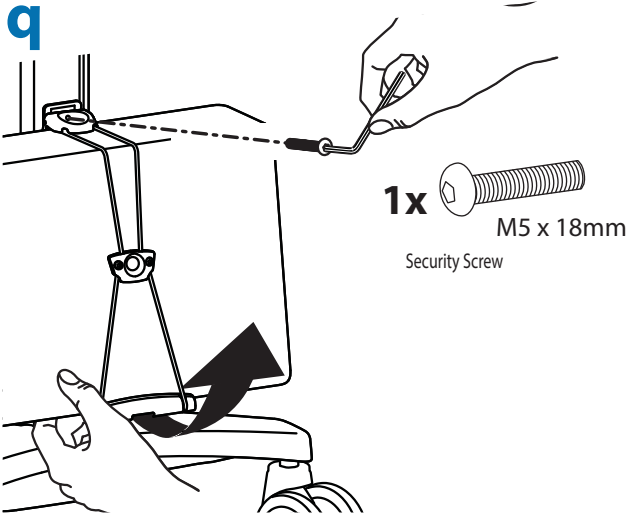
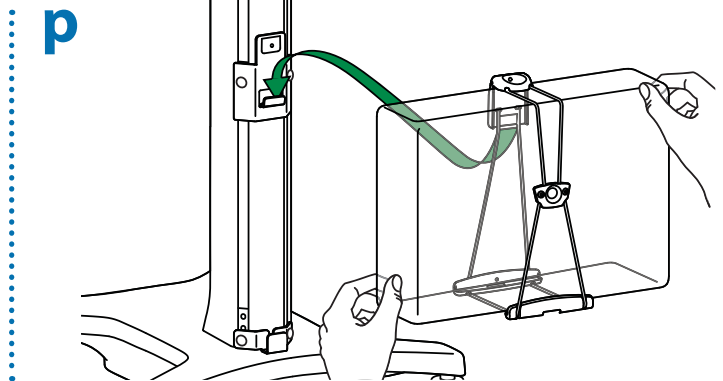
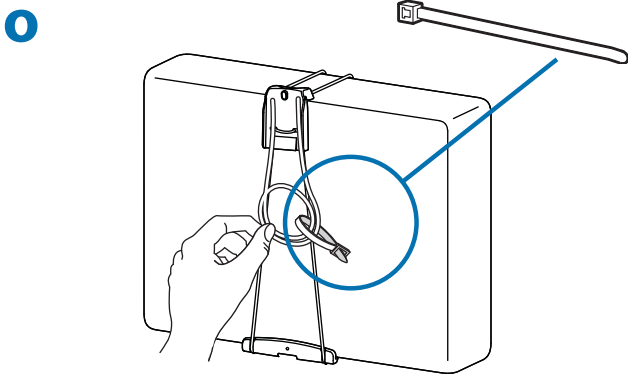


NOTE: Position at bottom of tower.  
Do not tighten at this time.

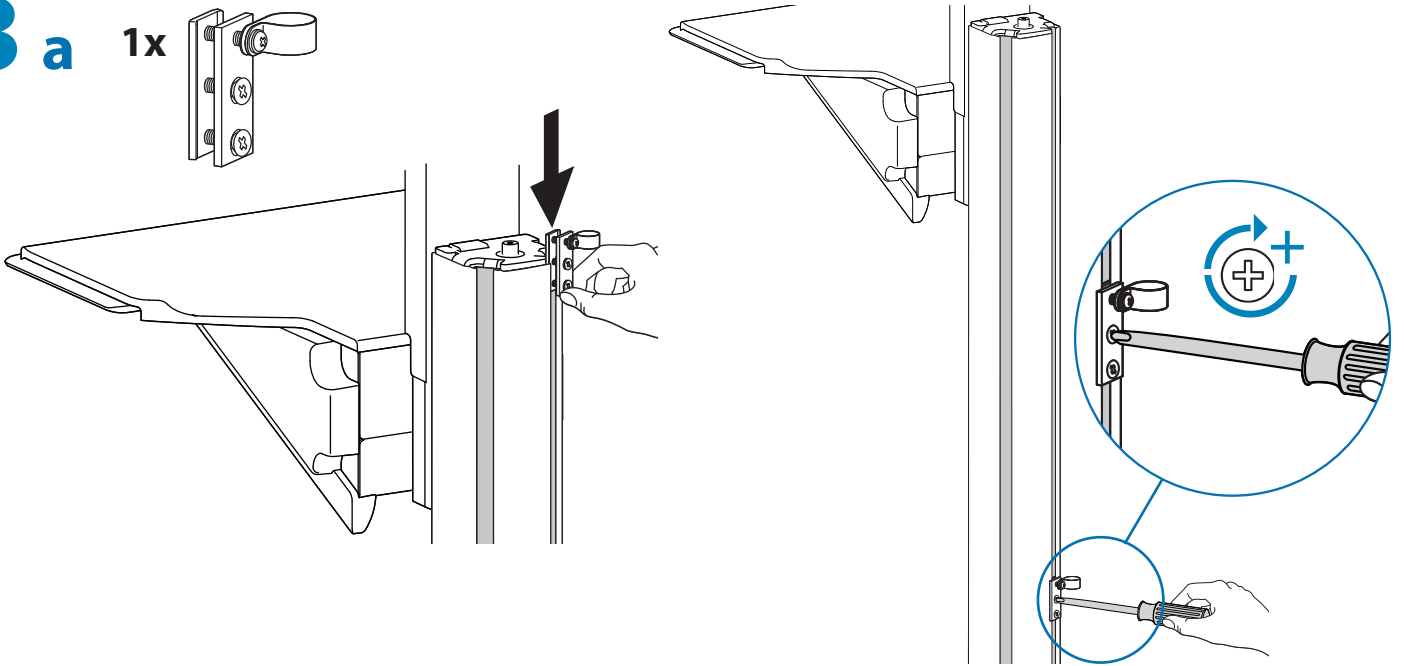


5-sided Security Wrench

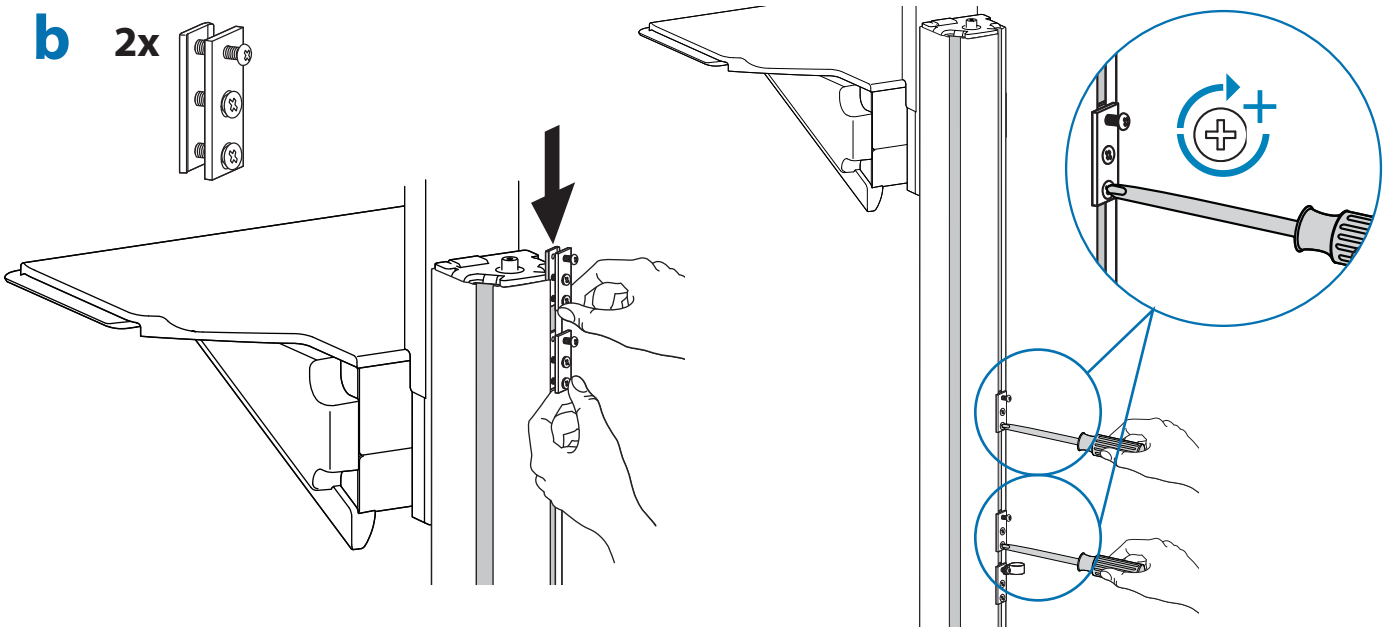
Tipping Hazard: Position bracket so that CPU attaches as low as possible on the tower.



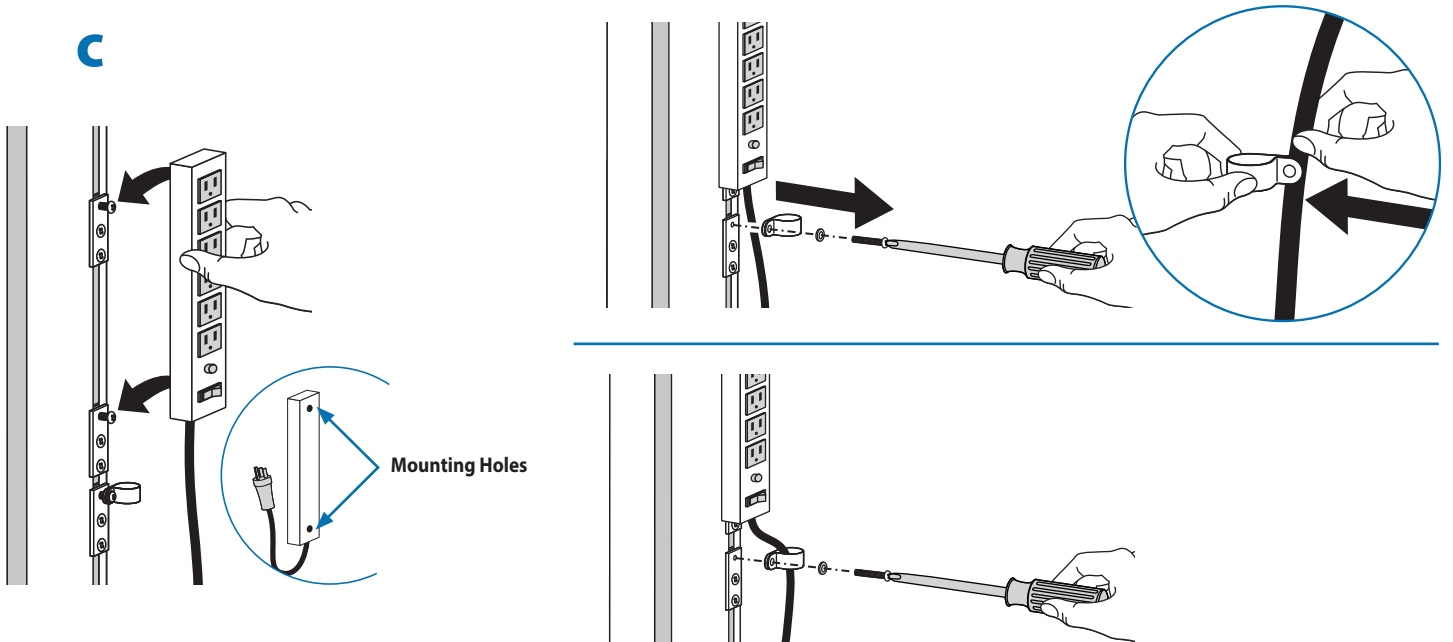
### 3 a 1x



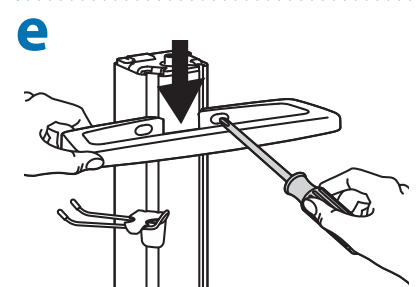
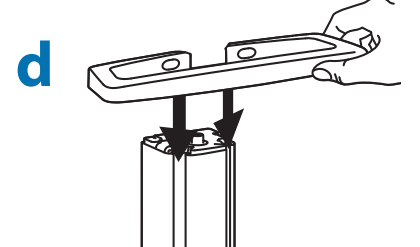
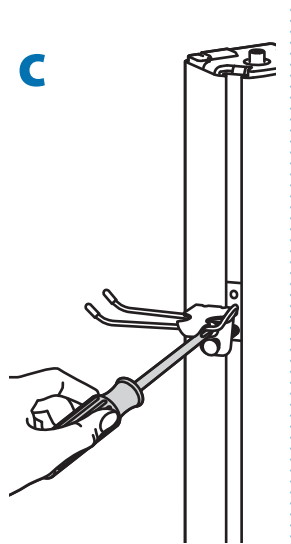
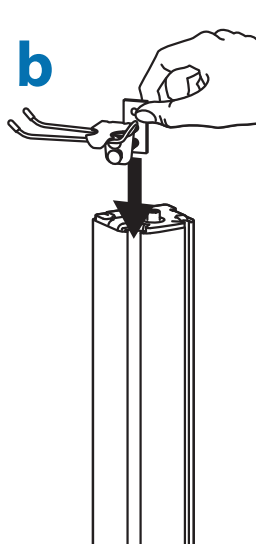
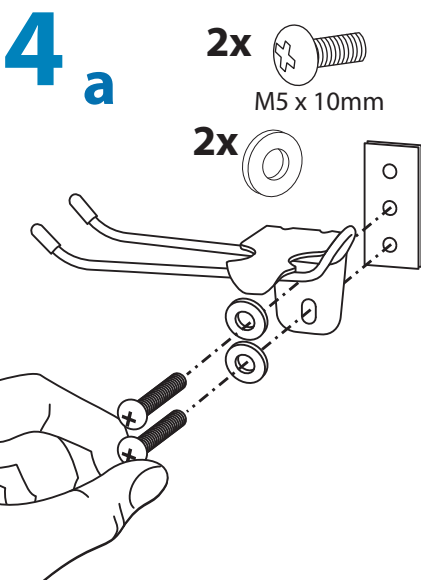
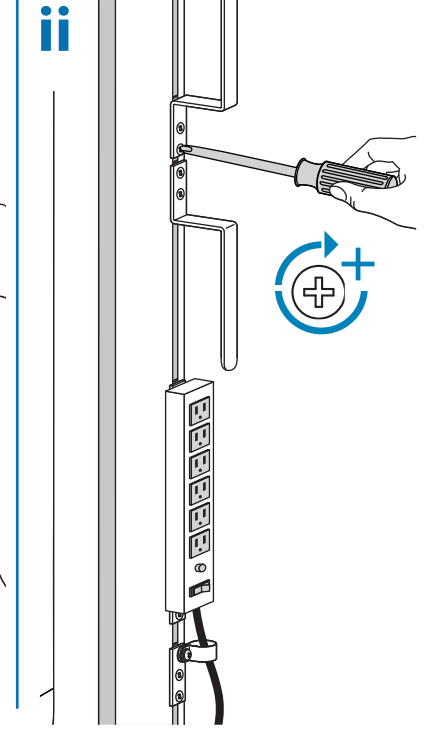
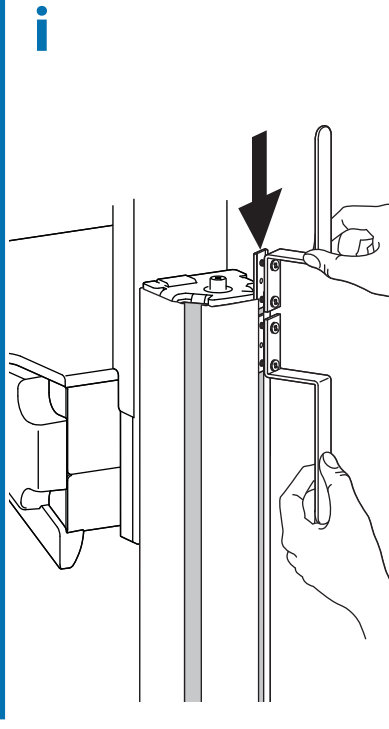
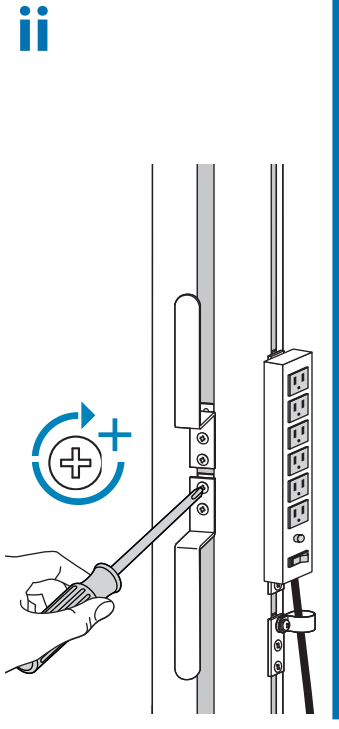
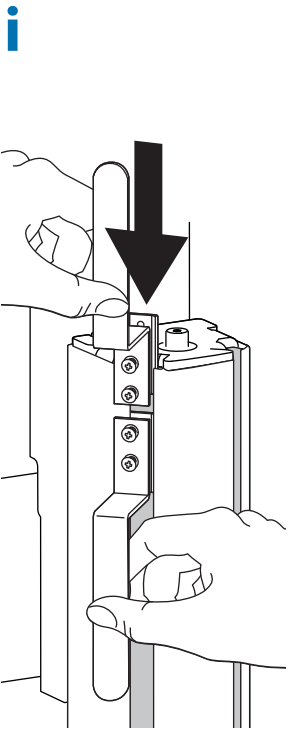
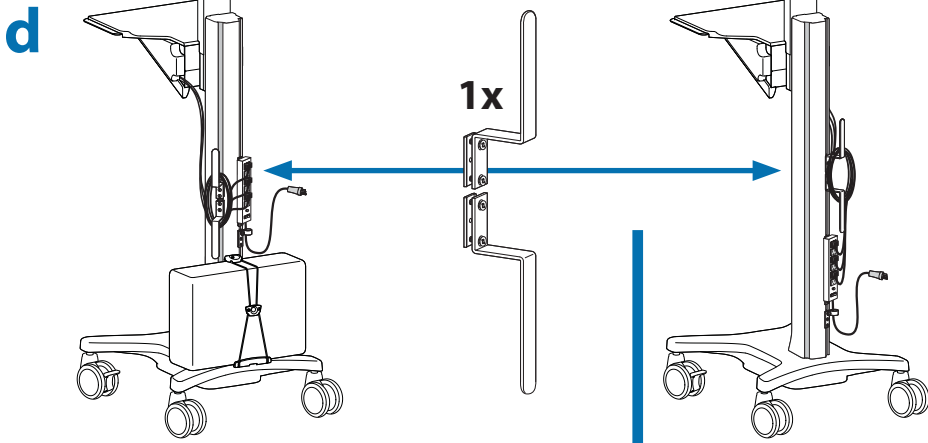
### b 2x

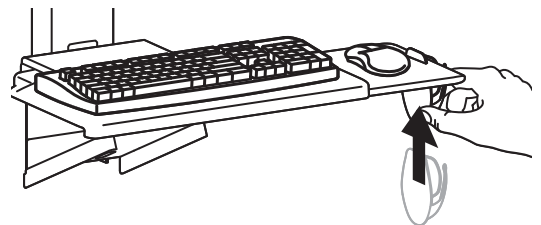
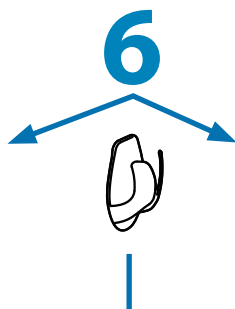
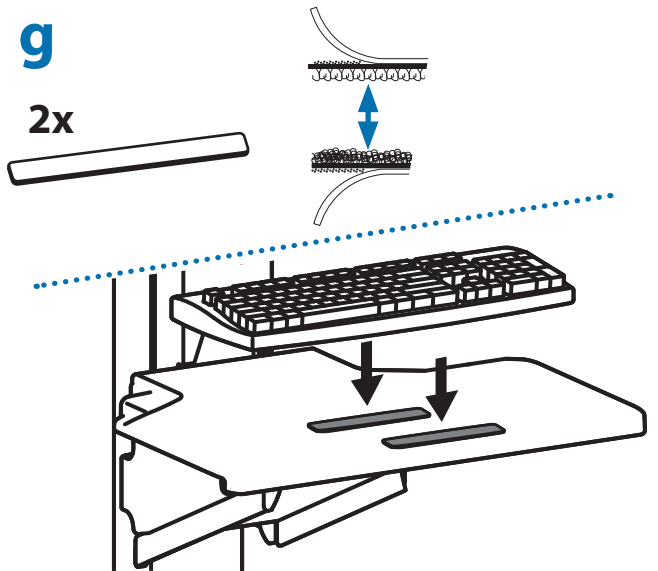
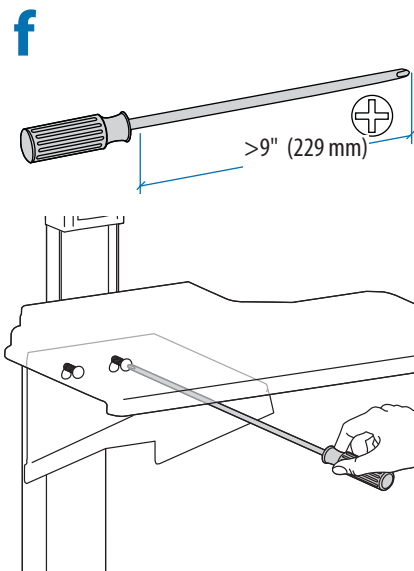
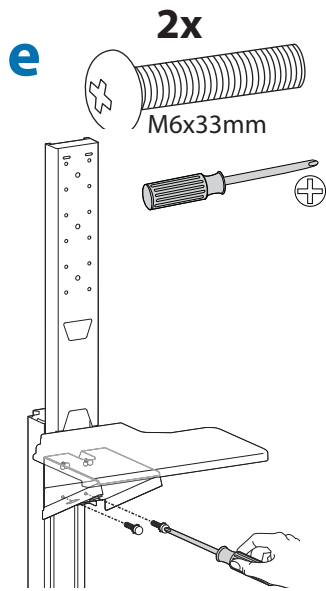
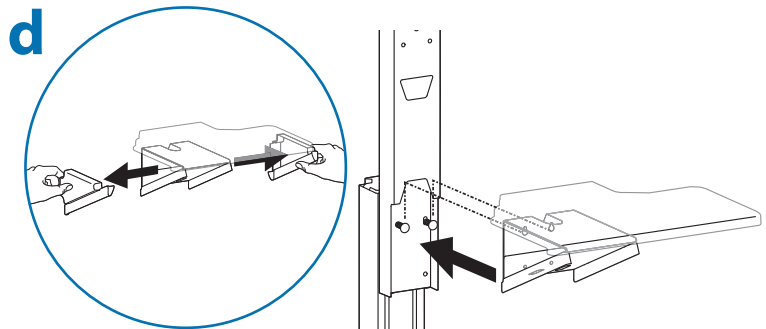
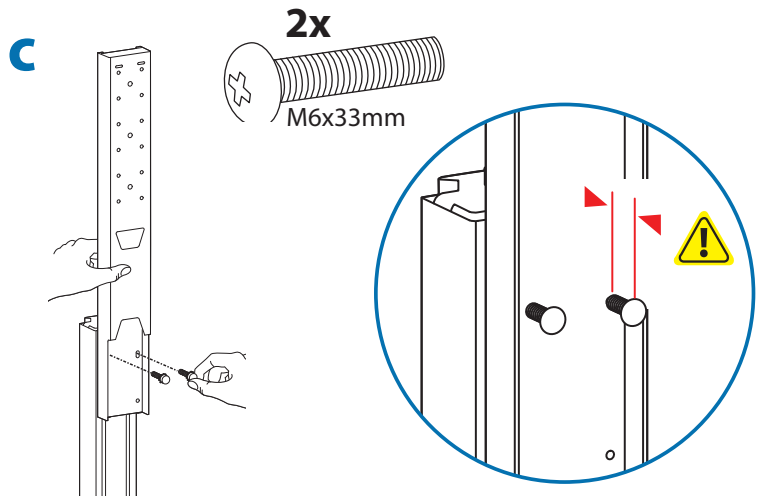
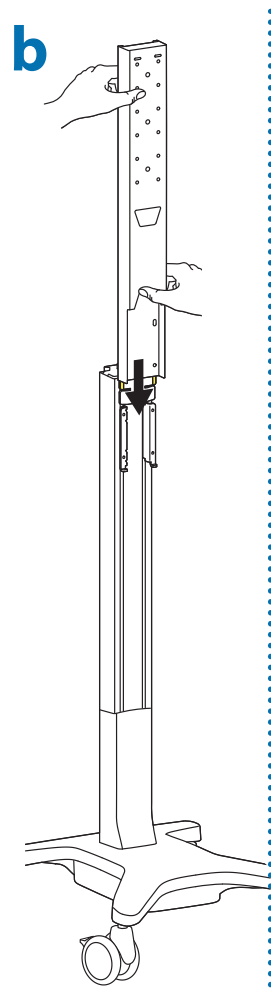
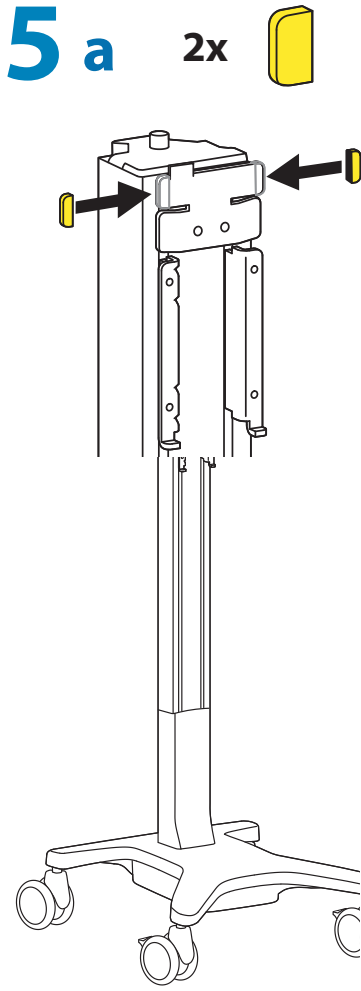


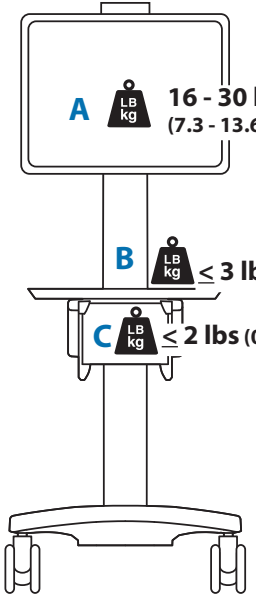
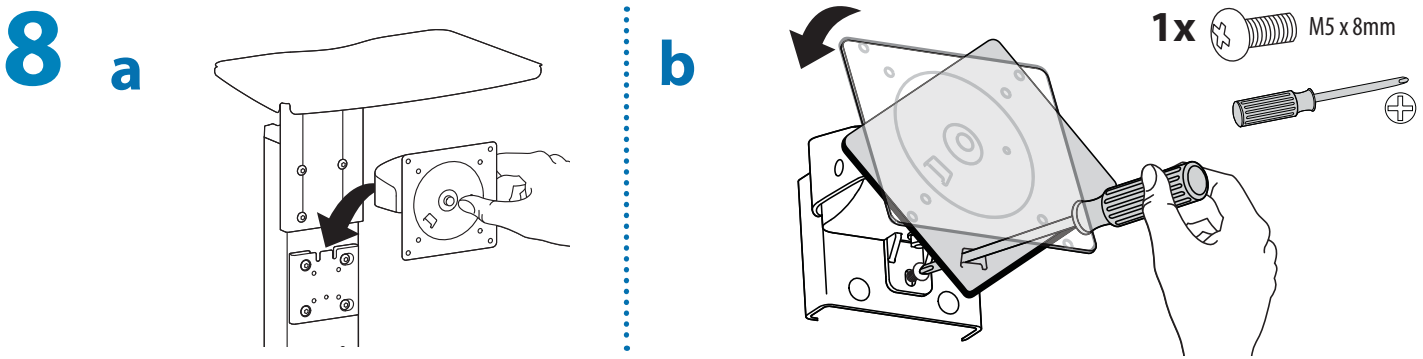
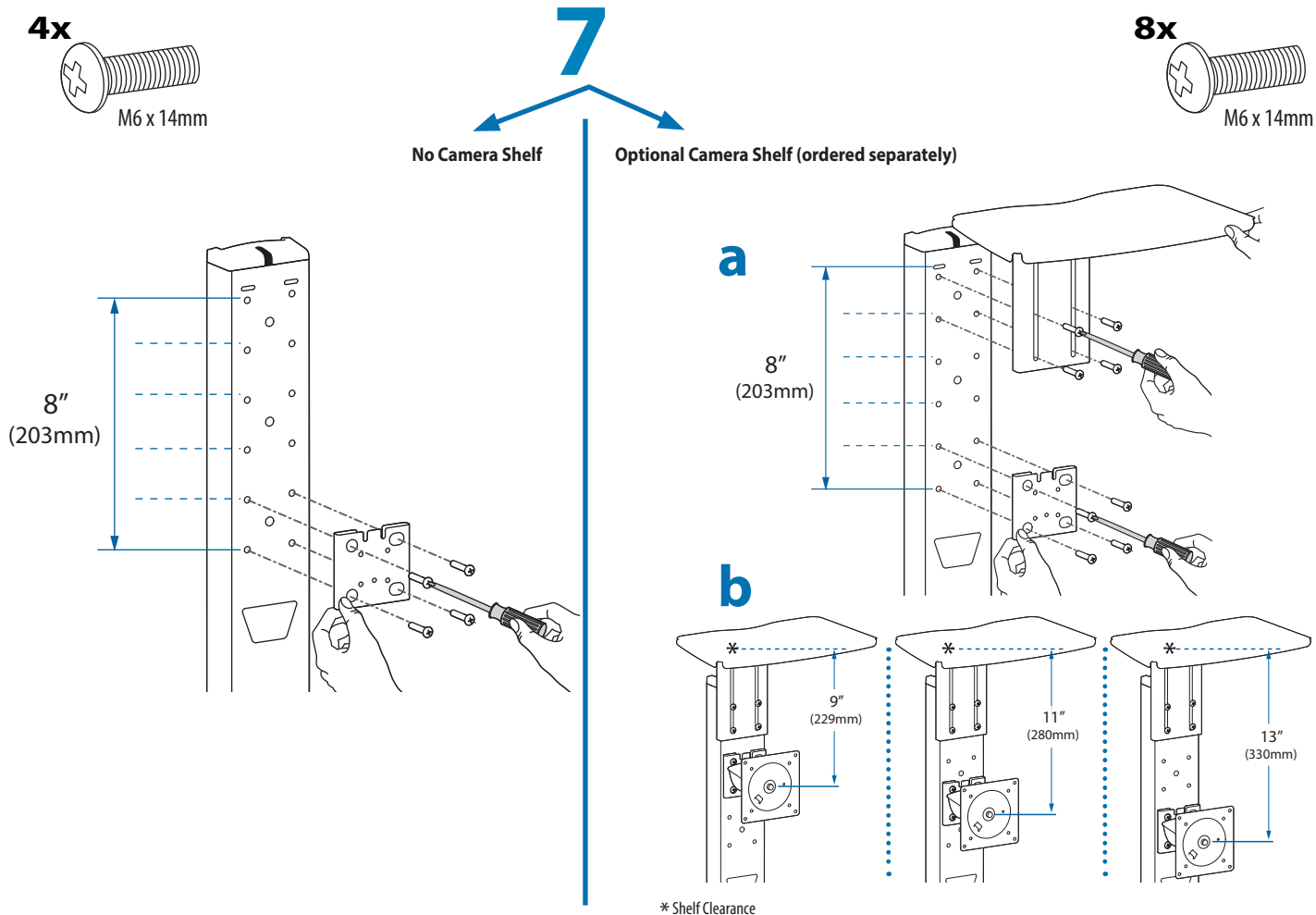
### c











**A+B+C = 14 - 53 lbs (6.35 - 24 kg)**

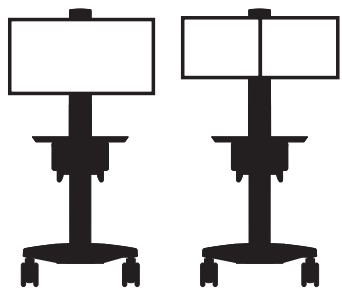
**A** **16 - 30 lbs (7.3 - 13.6 kg)**

**B** **< 3 lbs (1.4 kg)**

**C** **< 2 lbs (0.9 kg)**

**! WARNING**

DO NOT load Cart below minimum or above maximum weight capacities. DO NOT mount a display larger than the recommended size. Failure to comply with warning may result in Cart instability leading to equipment damage or personal injury.



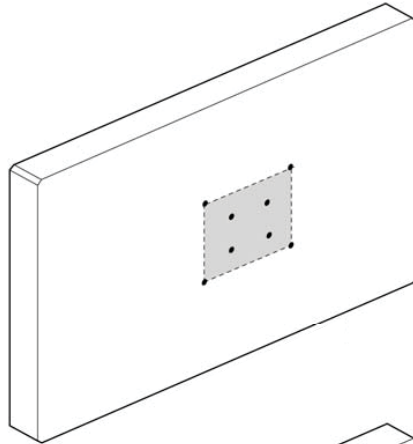
Min. 14 lbs (6.35 kg)      Min. 11 lbs (5 kg)  
 Max. 49 lbs (22.2 kg)      Max. 46 lbs (20.9 kg)

# 9 Check size of TV/Monitor hole pattern

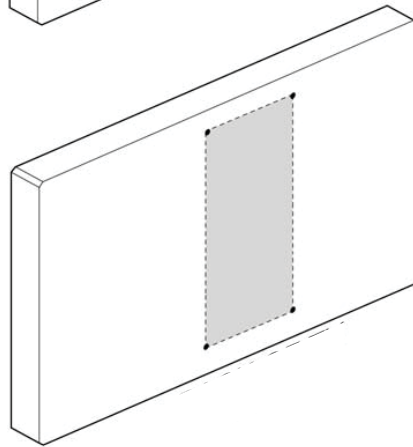
## TV/Monitor Hole Pattern Sizes

## VESA Adapter Configurations

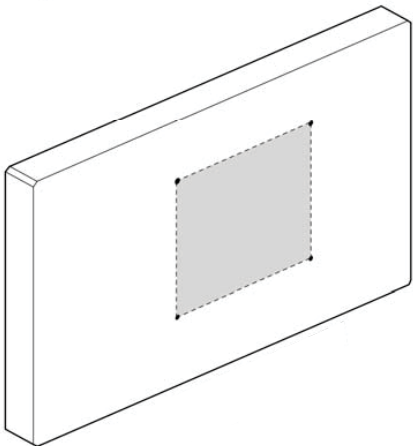
**A** 75x75mm  
100x100mm



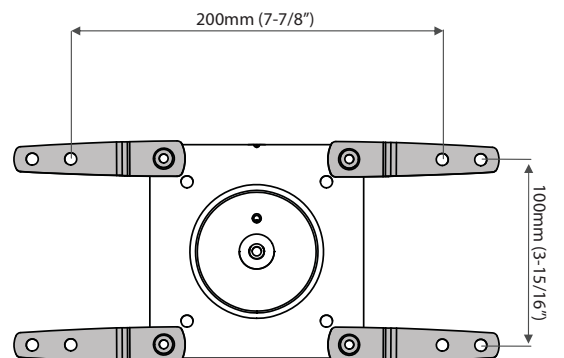
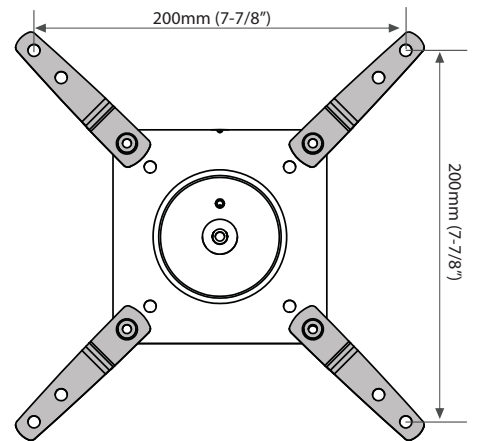
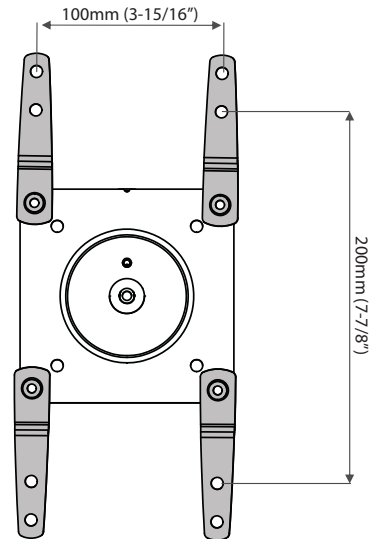
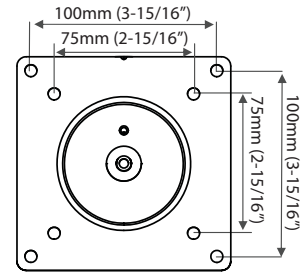
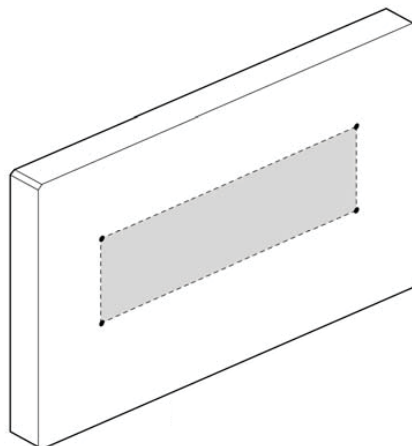
**B** 100x200mm



**C** 200x200mm



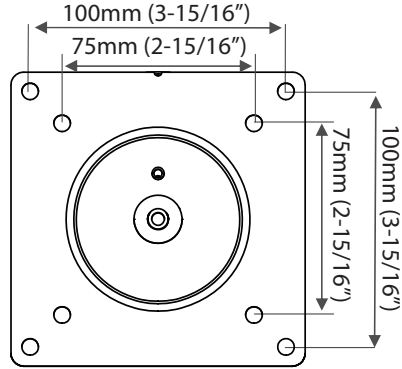
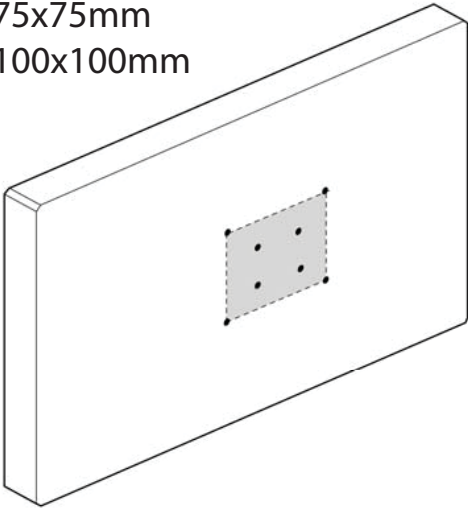
**D** 200x100mm



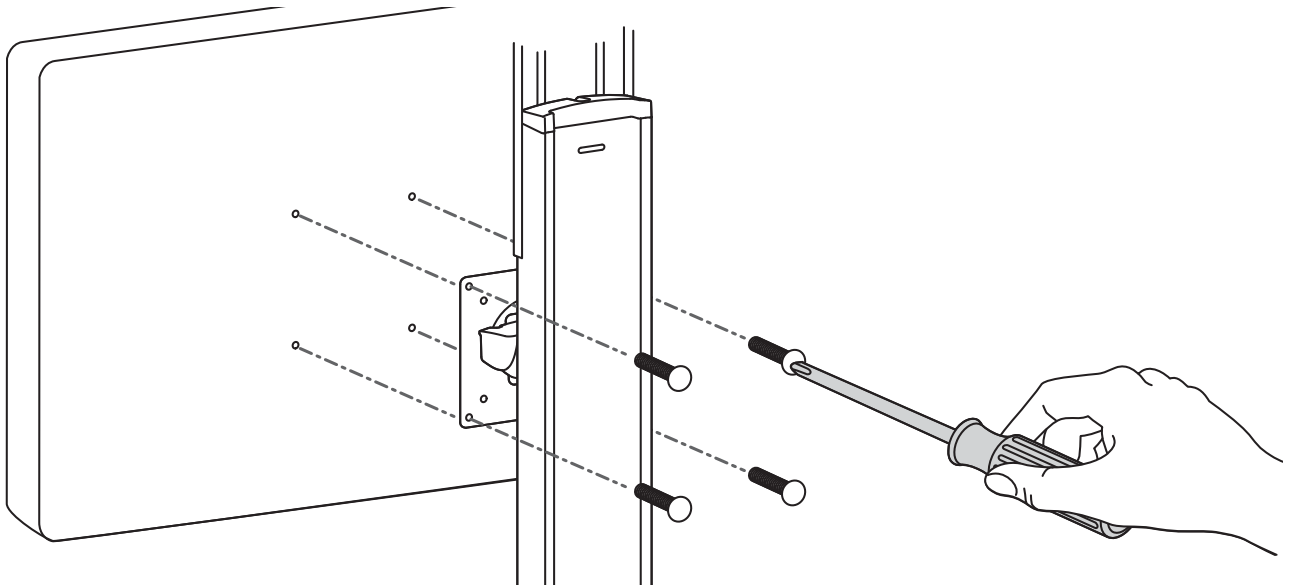
# 9 Mount Type A TV/Monitor to Arm

## A

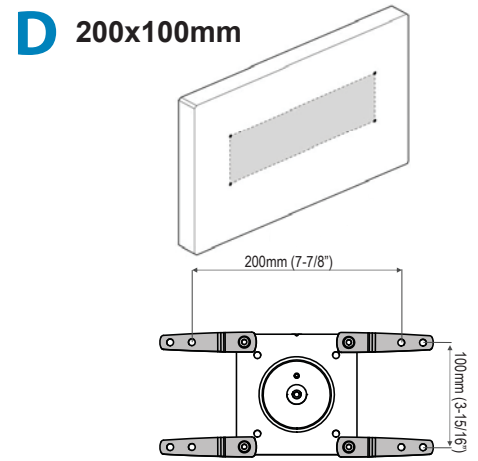
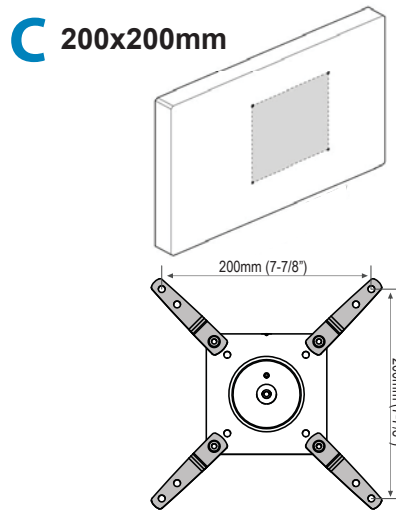
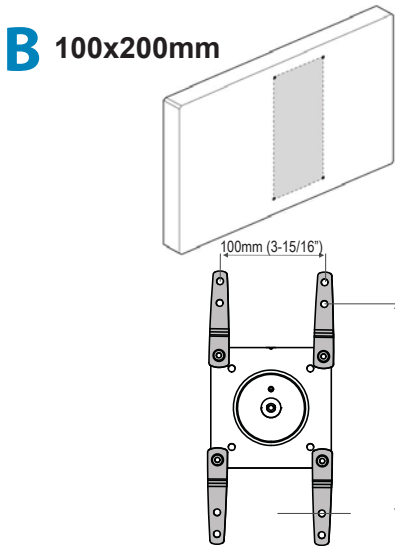
75x75mm  
100x100mm



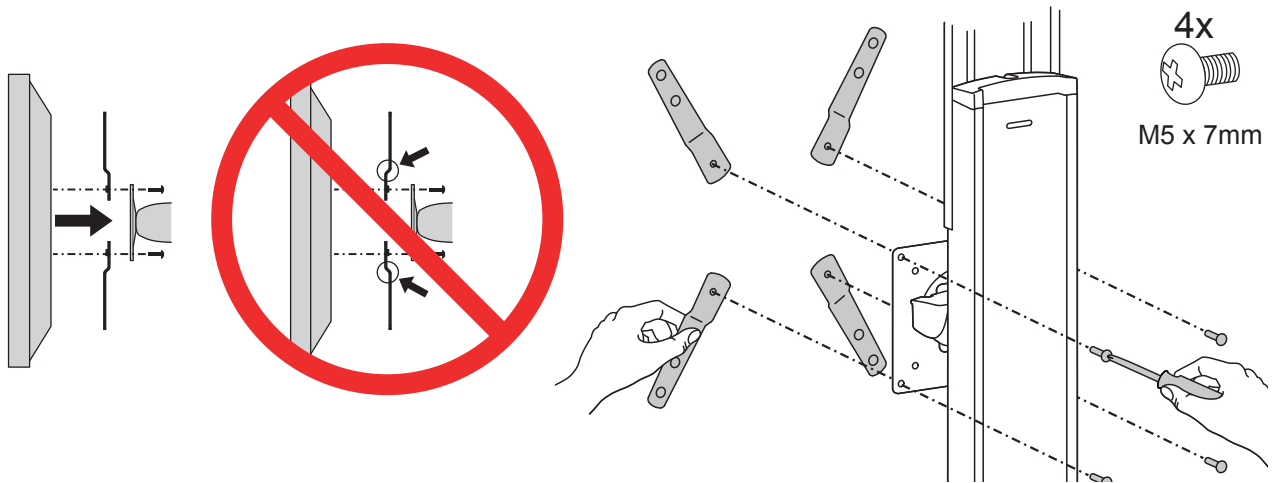
4x   
M4 x 12mm



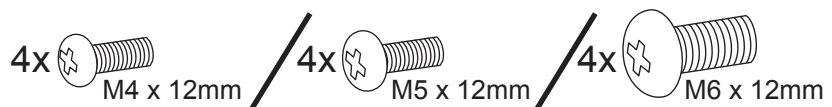
10  16



**9<sub>a</sub>** Mount VESA Adapters to Arm based on TV/Monitor hole pattern size (B, C, or D).



**9<sub>b</sub>** Mount Type B, C, or D TV/Monitor to Arm



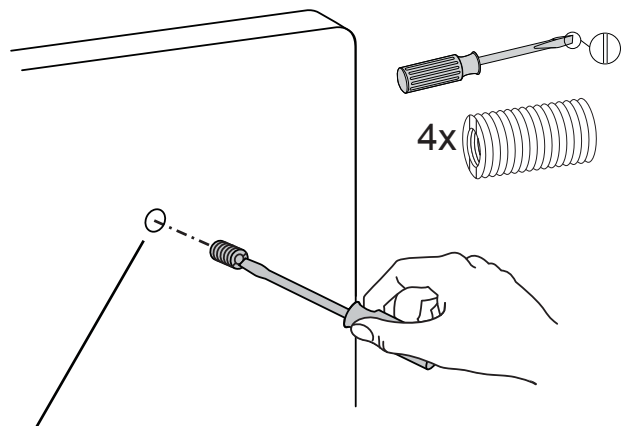
**NOTE:** To reduce M8 holes for use with M5 screws, or if you have a model with Samsung holder rings, follow the **M8M5 KIT** instructions on the next page.



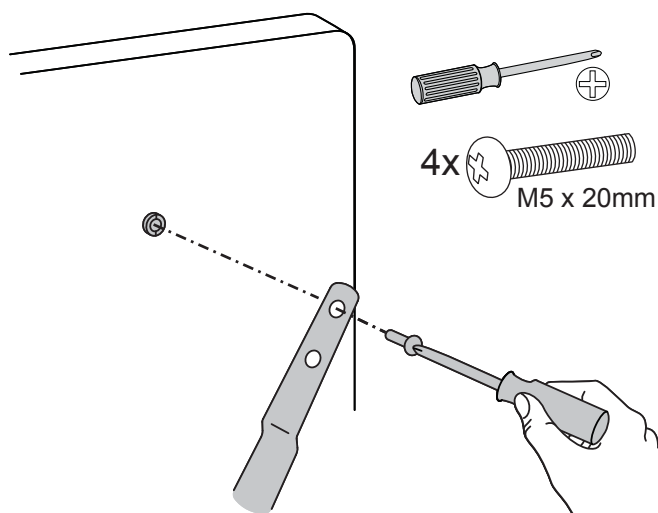
# M8M5 KIT Instructions

**NOTE:** Follow this step only if your TV/monitor has M8 holes which need to be reduced to M5.

Install M8M5 reducer bushing to TV/Monitor and use M5 x 20 mm monitor screws to secure.

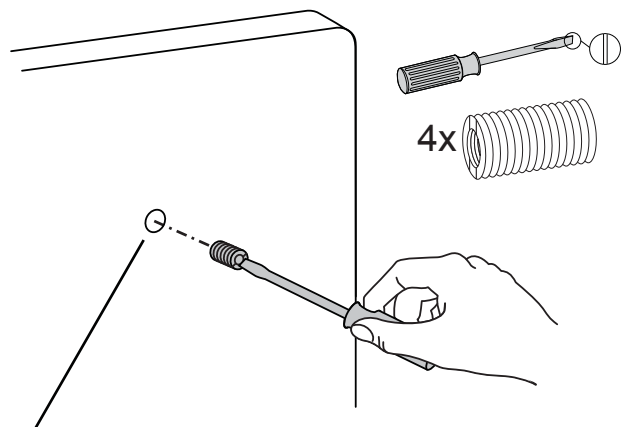


TV/Monitor Mounting  
M8 size hole

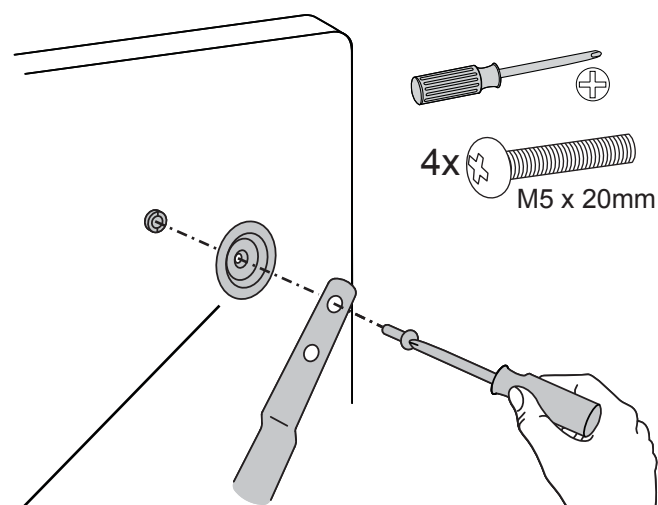


**NOTE:** Follow this step only for Samsung models using the holder ring.

Install M8M5 reducer bushing to TV/Monitor then use M5 x 20 mm monitor screws and Samsung holder ring to secure.

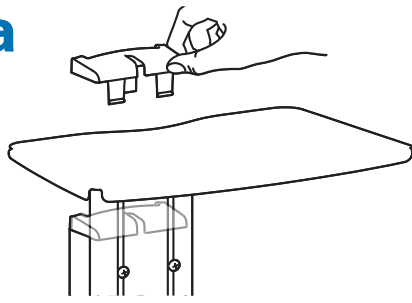


TV/Monitor Mounting  
M8 size hole



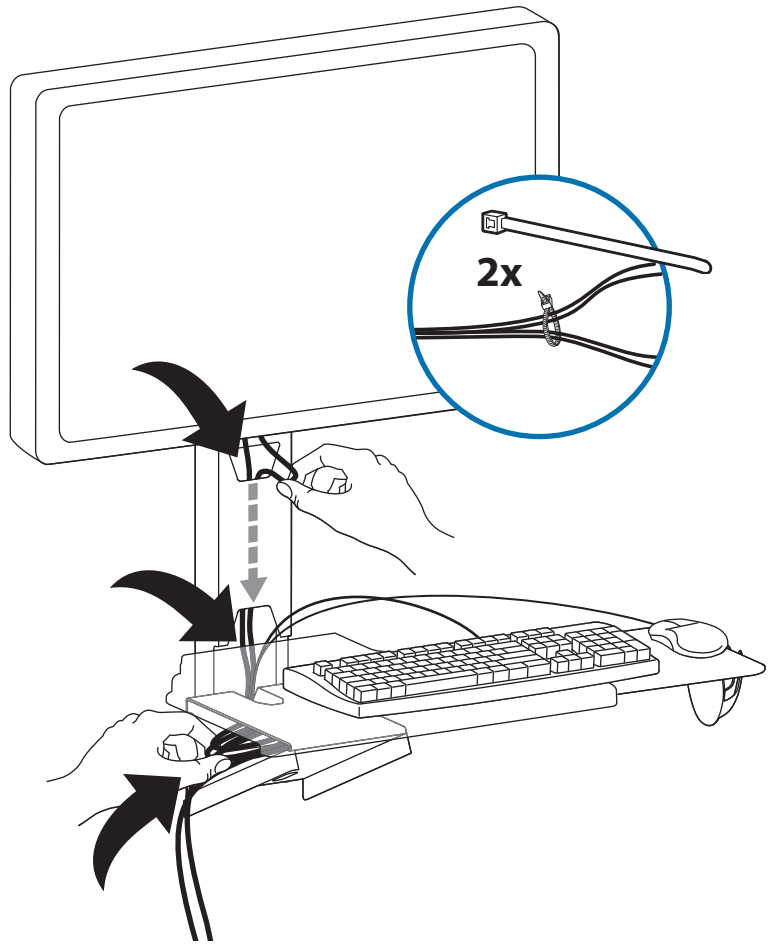
Holder Ring  
(Not included \*Samsung Only)

10 a



b

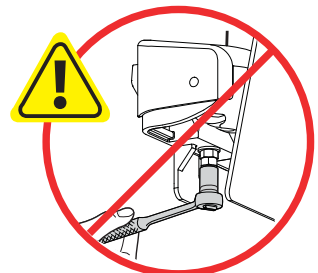
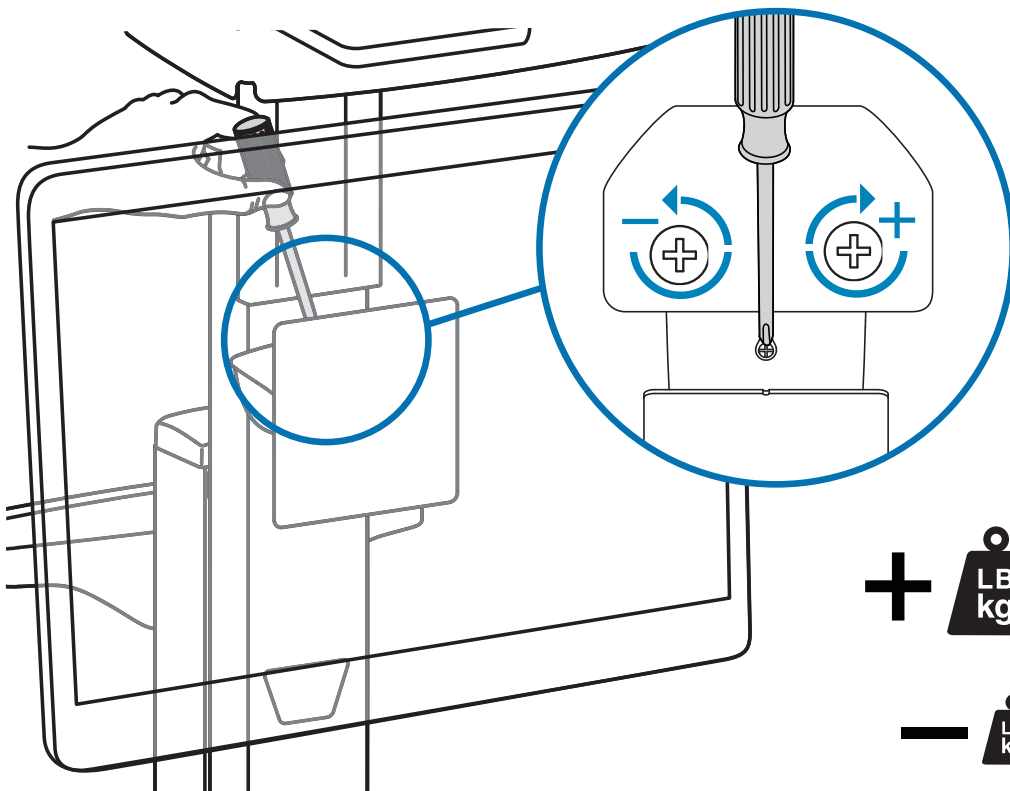
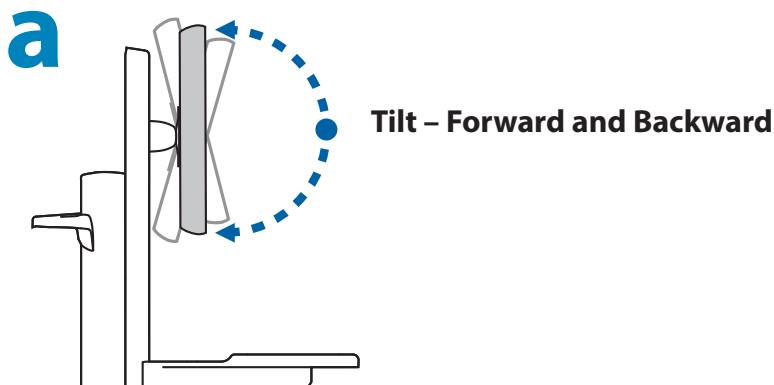
Cable Routing Route display cables down riser and into the cable box mounted under the worksurface. Use cable box to store excess cables.



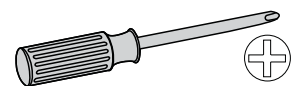



# 11 Adjustment Step


Important! You will need to adjust this product after installation is complete. Make sure all your equipment is properly installed on the product before attempting adjustments. This product should move smoothly and easily through the full range of motion and stay where you set it. If movements are too easy or difficult or if product does not stay in desired positions, follow the adjustment instructions to create smooth and easy movements. Depending on your product and the adjustment, it may take many turns to notice a difference. Any time equipment is added or removed from this product, resulting in a change in the weight of the mounted load, you should repeat these adjustment steps to ensure safe and optimum operation.

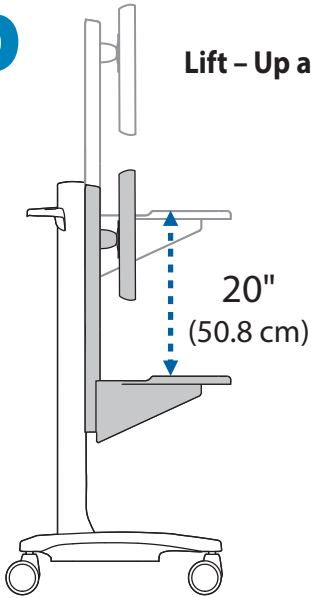


**CAUTION!** The bottom nut will turn during adjustment of the top nut; DO NOT apply any tool to the bottom nut. Serious damage to the Pivot may occur if these instructions are not followed.



**+**  **Increase Friction**  
If this product moves too easily, then you'll need to increase friction:

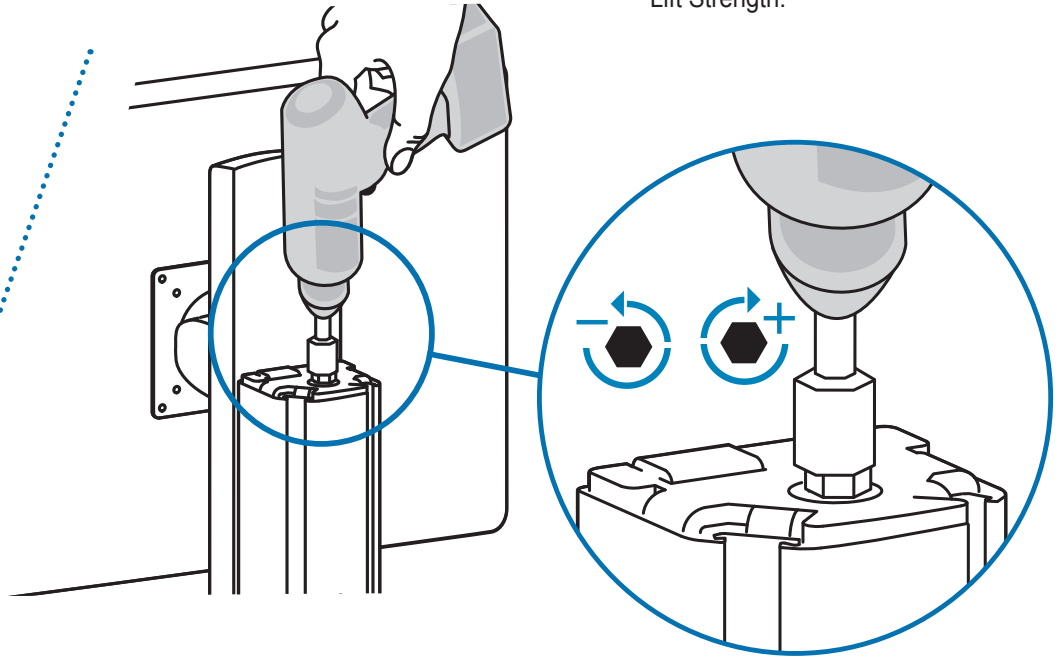
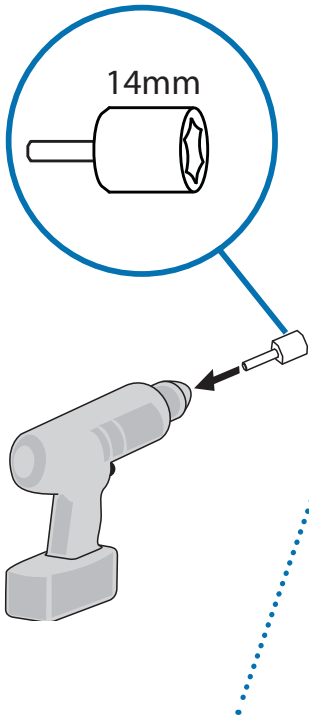
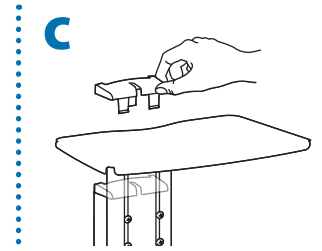
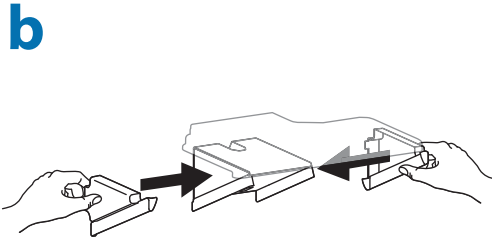
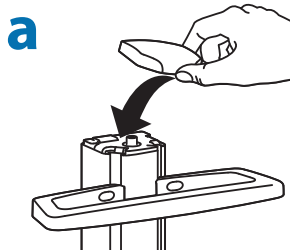
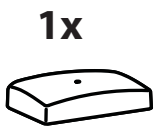
**-**  **Decrease Friction**  
If this product is too difficult to move, then you'll need to decrease friction:

**b****Lift – Up and down****Increase Lift Strength**

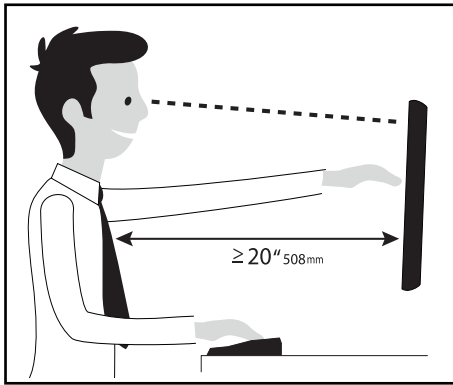
If the mounted weight is too heavy or this product does not stay up when raised, then you'll need to increase Lift Strength:

**Decrease Lift Strength**

If the mounted weight is too light or this product does not stay down when lowered, then you'll need to decrease Lift Strength:

**12**

## Set Your Workstation to Work For YOU!



Learn more about ergonomic computer use at:  
[www.computingcomfort.org](http://www.computingcomfort.org)

- Height** Position top of screen slightly below eye level.  
Position keyboard at about elbow height with wrists flat.
- Distance** Position screen an arm's length from face—at least 20" (508mm).  
Position keyboard close enough to create a 90° angle in elbow.
- Angle** Tilt screen to eliminate glare.  
Tilt the keyboard back 10° so that your wrists remain flat.

### To Reduce Fatigue

- Breathe - Breathe deeply through your nose.
- Blink - Blink often to avoid dry eyes.
- Break • 2 to 3 minutes every 20 minutes
- 15 to 20 minutes every 2 hours.

For Warranty visit: [www.ergotron.com/warranty](http://www.ergotron.com/warranty)

For Service visit: [www.ergotron.com](http://www.ergotron.com)

For local customer care phone numbers visit: <http://contact.ergotron.com>

# ergotron®

[www.ergotron.com](http://www.ergotron.com) | USA: 1-800-888-8458 | Europe: +31 (0)33-45 45 600 | China: 400-120-3051 | Japan: [japansupport@ergotron.com](mailto:japansupport@ergotron.com)

© 2015 Ergotron, Inc. All rights reserved. NeoFlex™ is a registered trademark of Ergotron, Inc.

While Ergotron, Inc. makes every effort to provide accurate and complete information on the installation and use of its products, it will not be held liable for any editorial errors or omissions (including those made in the process of translation from English to another language), or for incidental, special or consequential damages of any nature resulting from furnishing this instruction and performance of equipment in connection with this instruction. Ergotron, Inc. reserves the right to make changes in the product design and/or product documentation without notification to its users. For the most current product information, or to know if this document is available in languages other than those herein, please contact Ergotron. No part of this publication may be reproduced, stored in a retrieval system, or transmitted in any form or by any means, electronic, mechanical, photocopying, recording or otherwise without the prior written consent of Ergotron, Inc., 1181 Trapp Road, Eagan, Minnesota, 55121, USA Patents Pending and Patented U.S. & Foreign. Ergotron is a registered trademark of Ergotron, Inc.