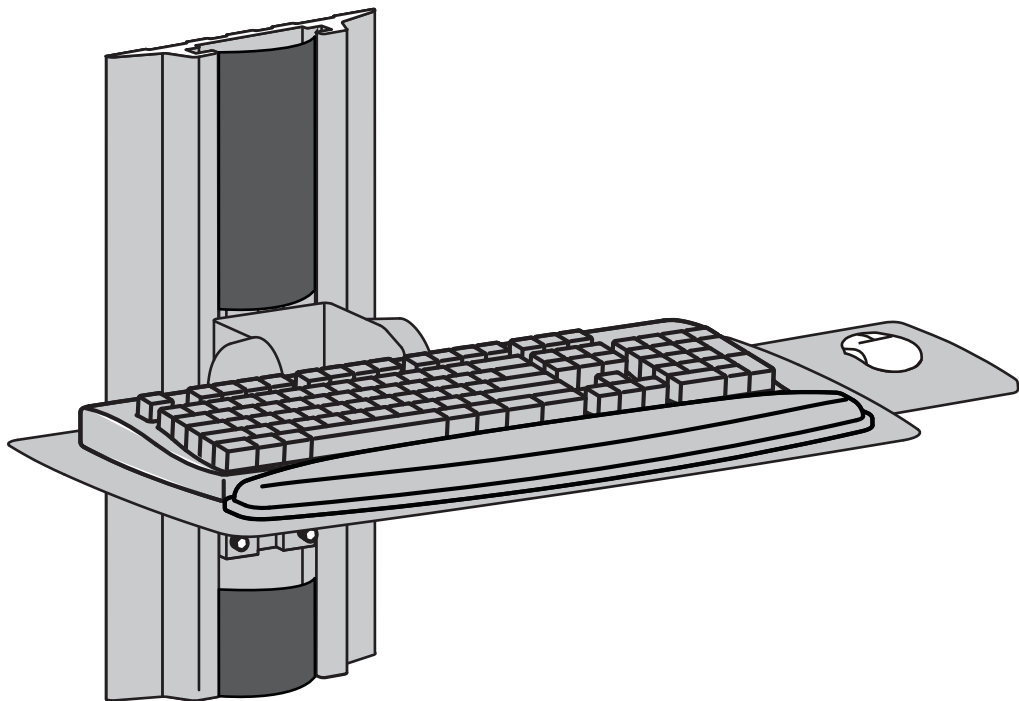


ergotron®

Neo-Flex Slide-out Keyboard Tray Wall Mount



English



For the latest User Installation Guide please visit: www.ergotron.com

English, Español, Français, Deutsch, Nederlands, Italiano, Svenska, 日本語, 汉语

www.ergotron.com | USA: 1-800-888-8458 | Europe: +31 (0)33-45 45 600 | China: 400-120-3051 | Japan: japansupport@ergotron.com

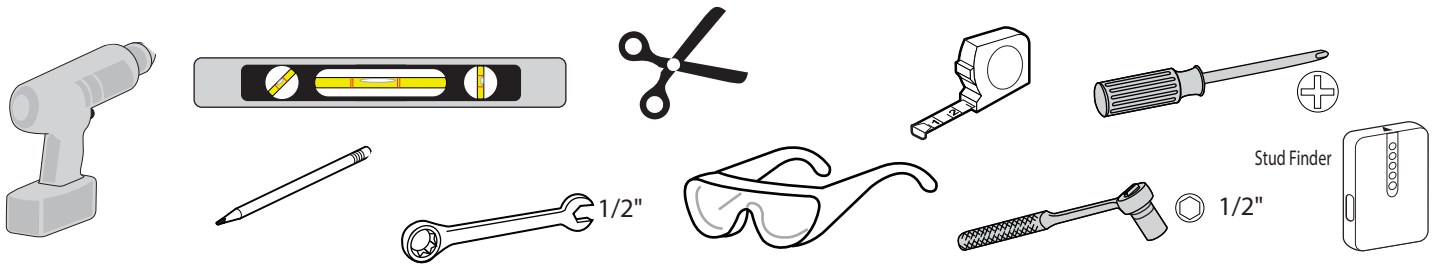
Components

	A	B	C	D	E
1	1x	1x	1x	4x	4x
2	1x		1x		4x
3	1x		4x		4x set screw
4	4x		1x	2x	
5	4x		4x	2x	

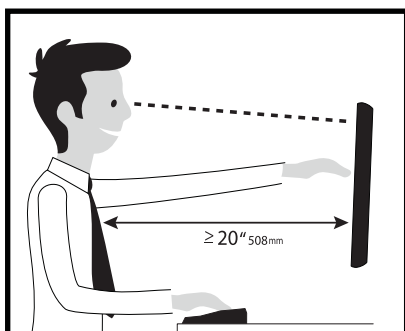


Tools Needed

See Wall Mounting Options for additional tools needed for your type of wall installation.



1 Determine Ergonomic Mounting Height

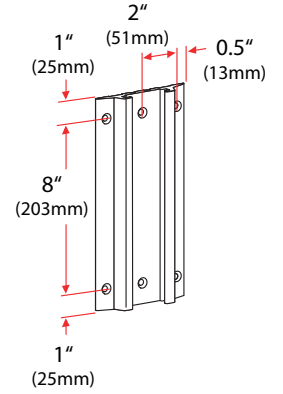


Learn more about ergonomic computer use at: www.ergotron.com/ergonomics

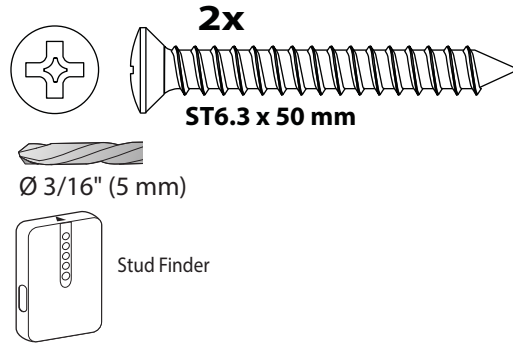
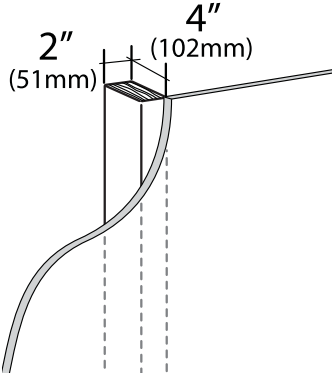
2 Wall Mounting Options

! WARNING:

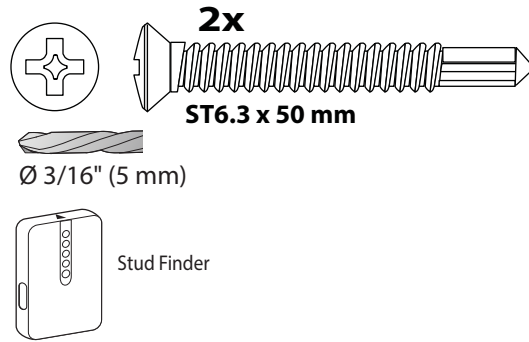
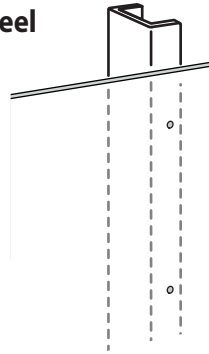
Ensure that the wall structure is capable of supporting four times the total weight of mounted equipment. Mounting to wall surfaces that do not meet this criteria may result in an unstable, unsafe condition which could lead to personal injury and/or property damage. Consult a construction professional if you have any doubt about what this means in regard to your particular application.



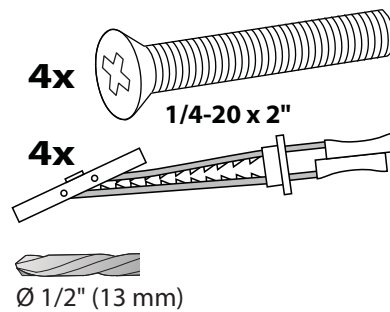
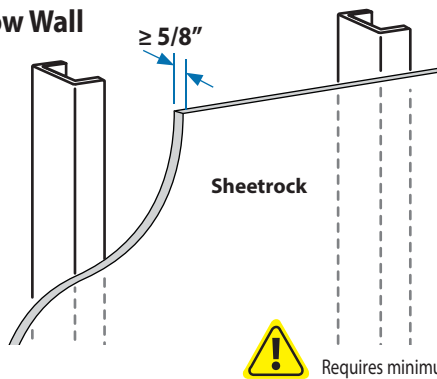
Wood



Studs \geq 25 gauge steel

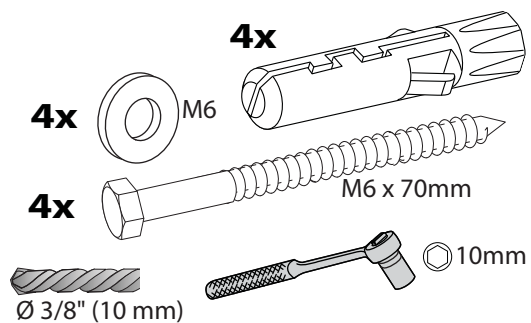
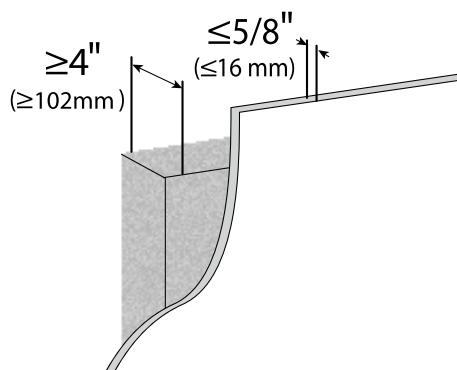


Hollow Wall



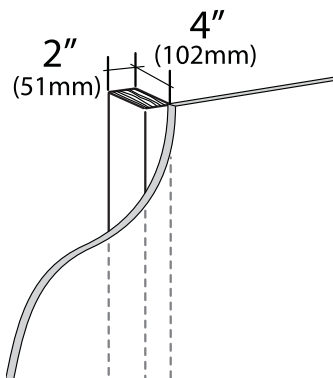
! Requires minimum material thickness of 5/8" (16 mm).

Concrete

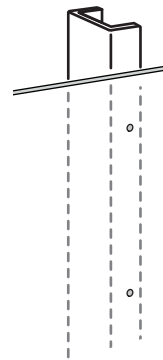


3 Attach to Wall

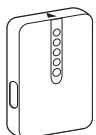
Wood



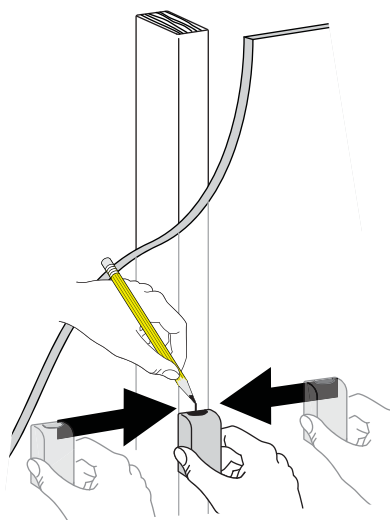
Studs \geq 25 gauge steel



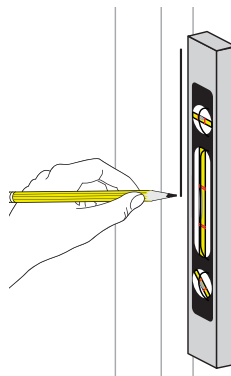
a



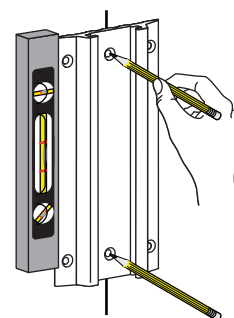
Stud Finder



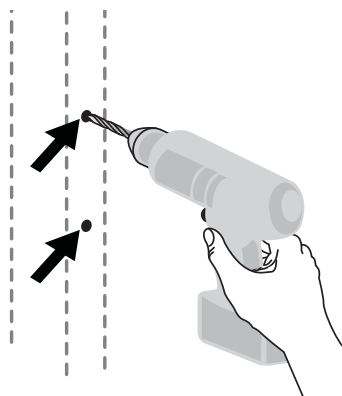
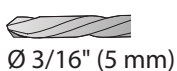
b



c



d

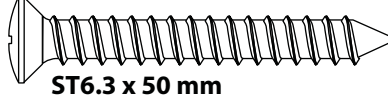


e

Wood



2x

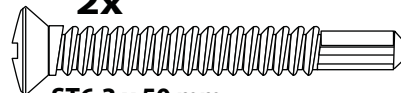


ST6.3 x 50 mm

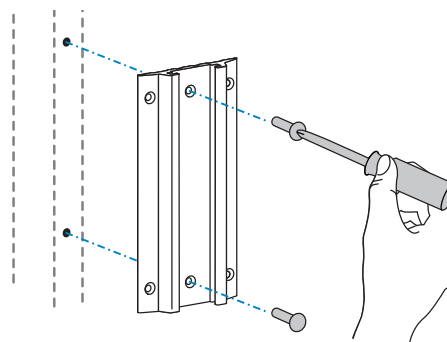
Studs \geq 25 gauge steel



2x



ST6.3 x 50 mm

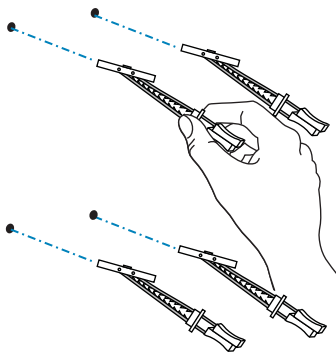
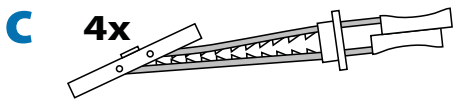
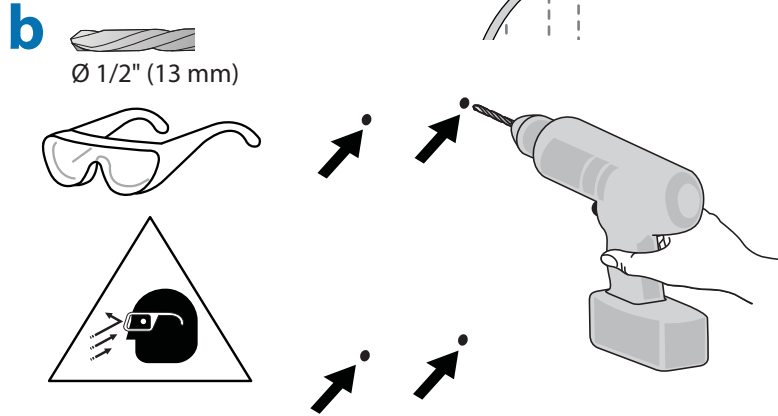
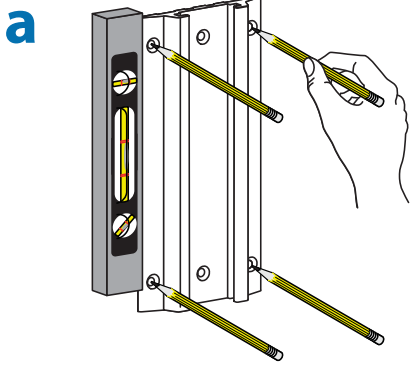
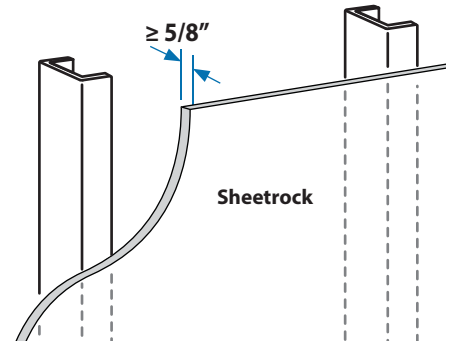


NOTE: Fasteners may unwind due to vibration caused by movement of mounting solution over time. Inspect mounting solution for loose fasteners on a routine basis. If desired, apply a light duty thread locking adhesive to fasteners before installation to prevent back-out.

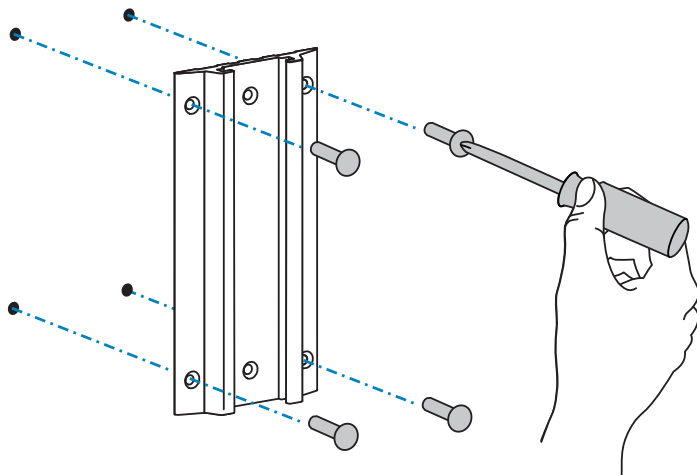
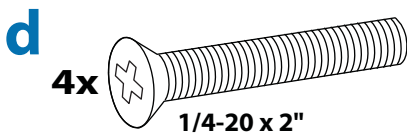
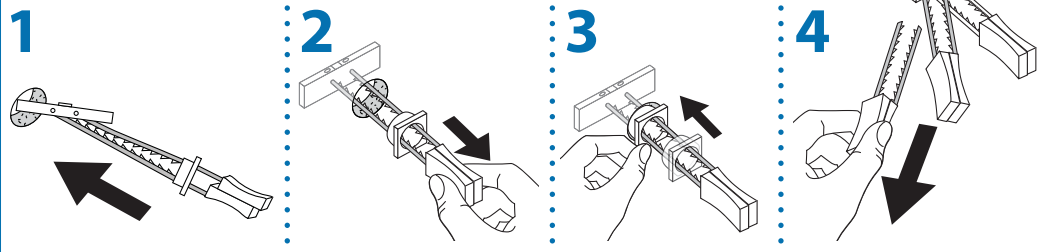


3 Attach to Wall

Hollow Wall



1. Push anchor plate into hole.
2. Pull loop back so plate opens flat against inside surface of wall.
3. Push collar into hole.
4. Snap off loop.

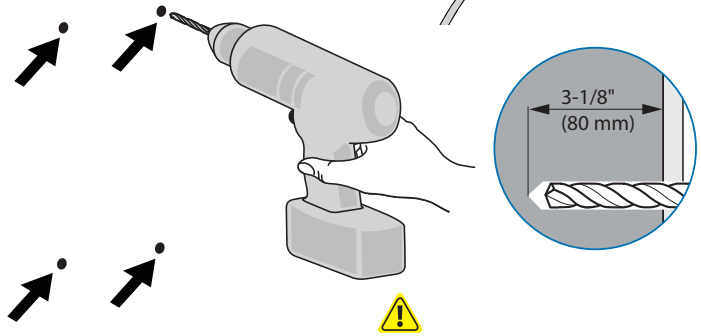
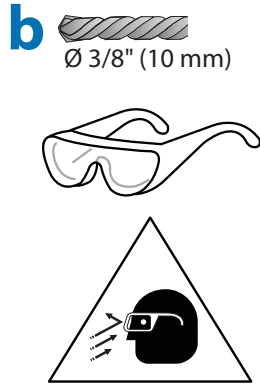
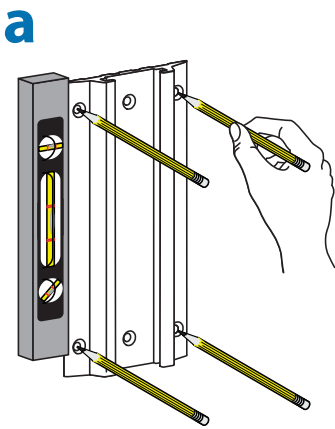
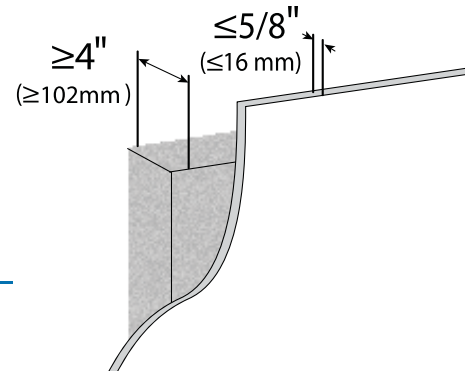


NOTE: Fasteners may unwind due to vibration caused by movement of mounting solution over time. Inspect mounting solution for loose fasteners on a routine basis. If desired, apply a light duty thread locking adhesive to fasteners before installation to prevent back-out.



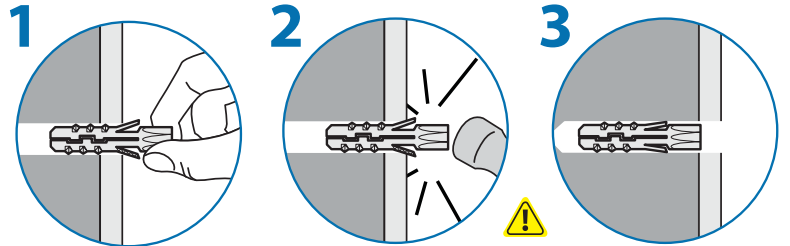
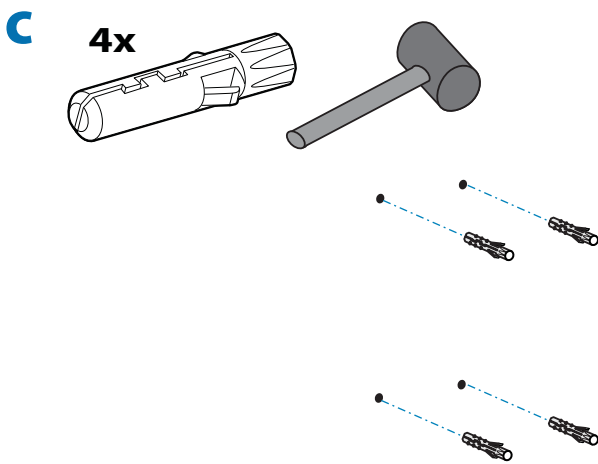
3 Attach to Wall

Concrete



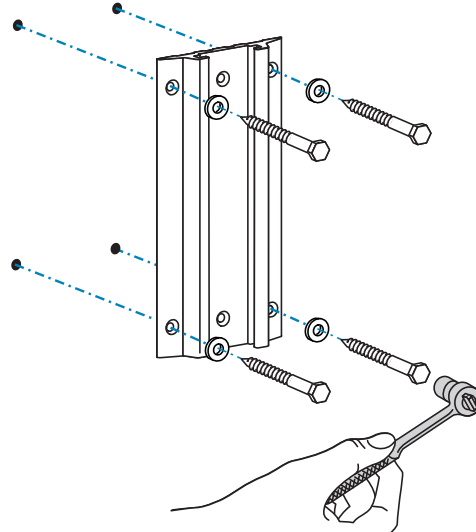
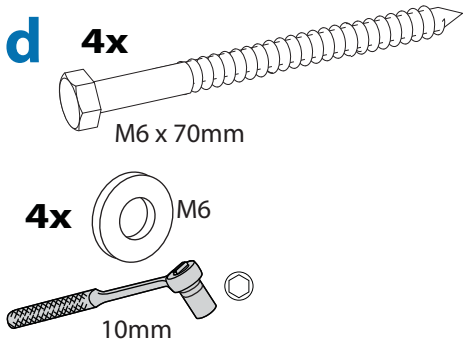
WARNING:

Mounting holes must be at least 3-1/8" (80mm) deep and must be located within solid concrete, not mortar or covering material. If you drill into an area of concrete that is not solid, reposition mounting holes until both anchors can be fully inserted into solid concrete!



WARNING:

Anchors that are not fully set in solid concrete will not support the applied load resulting in an unstable, unsafe condition which could lead to personal injury and/or property damage. Consult a construction professional if you have any doubt about what this means in regard to your particular situation.



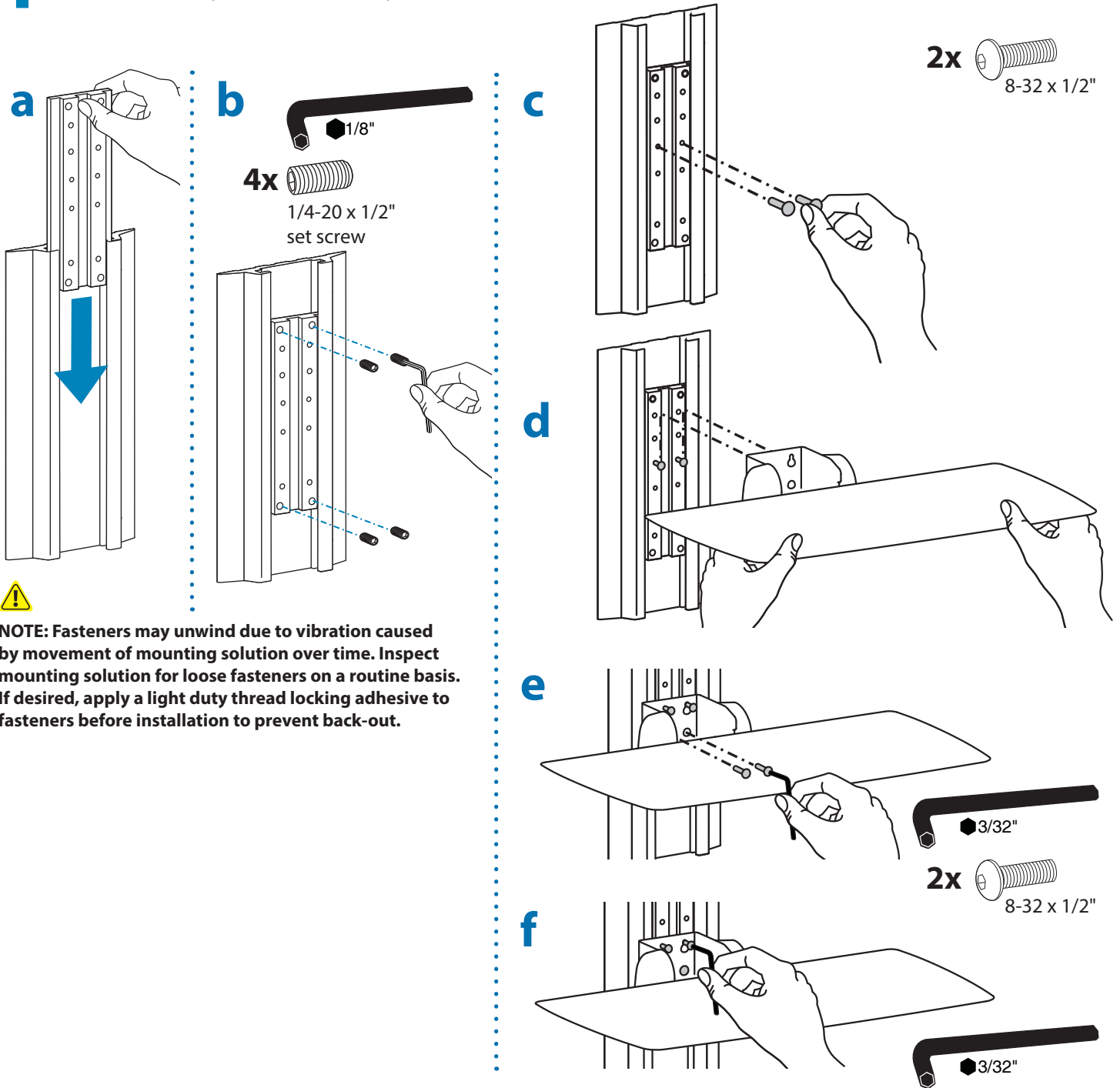
CAUTION: Make sure the wall mount bracket is level, flush and snug to the wall surface. **DO NOT OVERTIGHTEN THE BOLTS.**



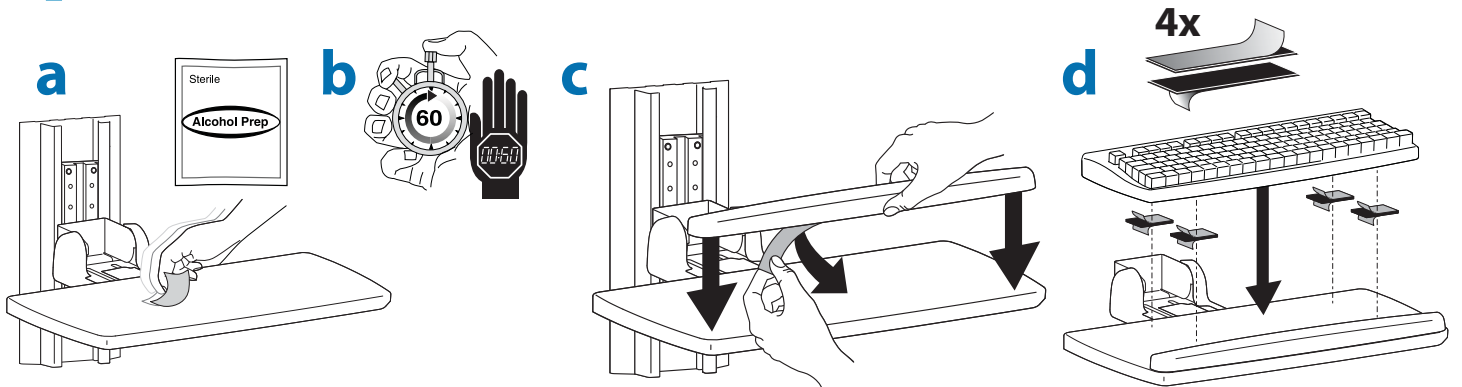
NOTE: Fasteners may unwind due to vibration caused by movement of mounting solution over time. Inspect mounting solution for loose fasteners on a routine basis. If desired, apply a light duty thread locking adhesive to fasteners before installation to prevent back-out.



4 Attach Keyboard Tray



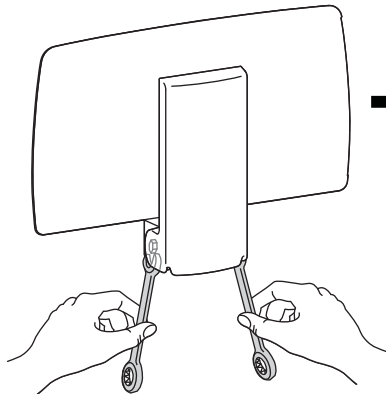
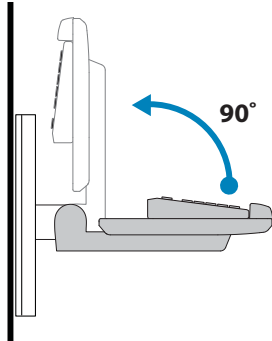
4 Attach Keyboard



6 Range of Motion

This product is designed to adjust quickly and easily according to your needs – refer to following steps for adjustment.

a Tilt – Forward and Backward



Increase Friction

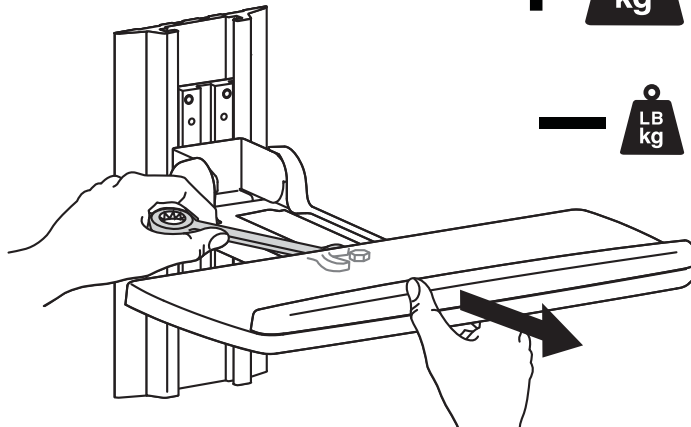
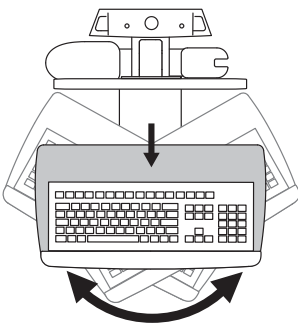
If this product moves too easily from side-to-side, then you'll need to increase friction:



Decrease Friction

If this product is too difficult to move from side-to-side, then you'll need to decrease friction:

b Pan – Side-to-Side



Increase Friction

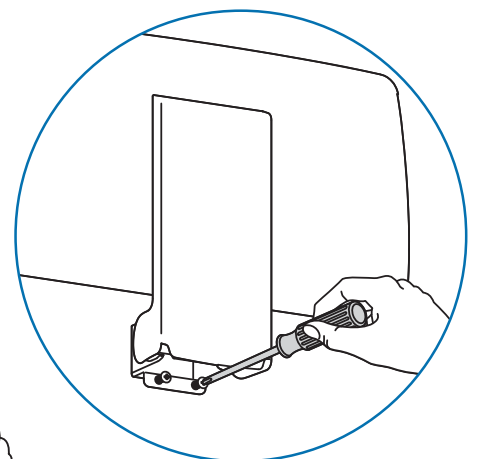
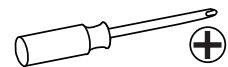
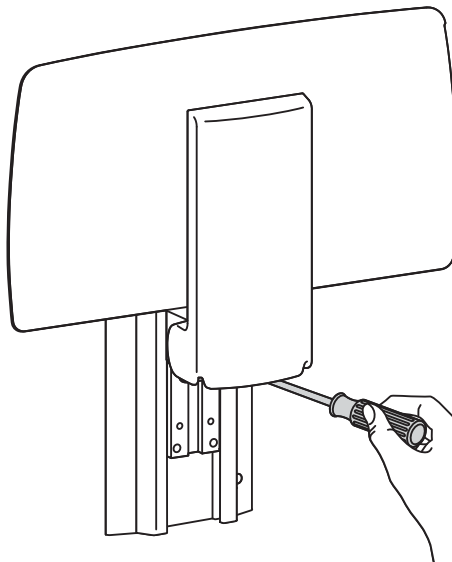
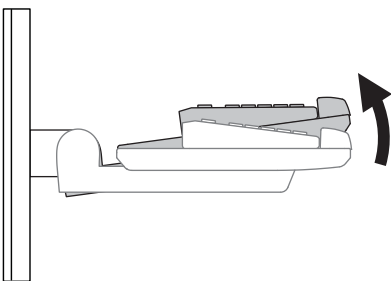
If this product moves too easily from side-to-side, then you'll need to increase friction:



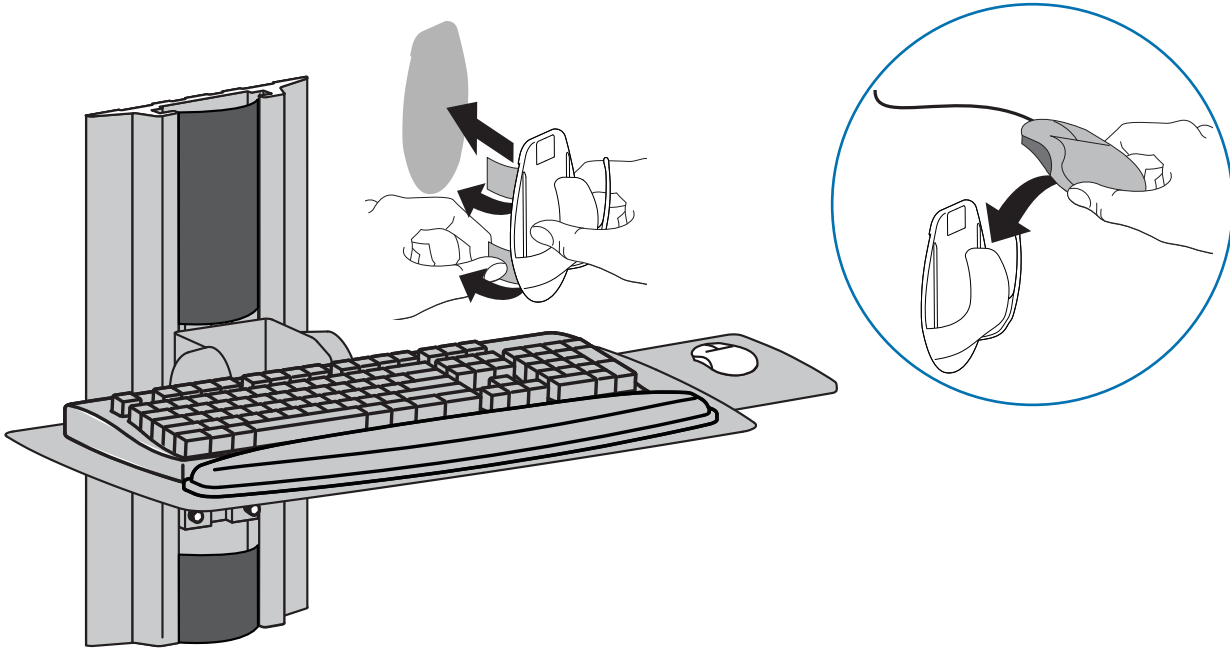
Decrease Friction

If this product is too difficult to move from side-to-side, then you'll need to decrease friction:

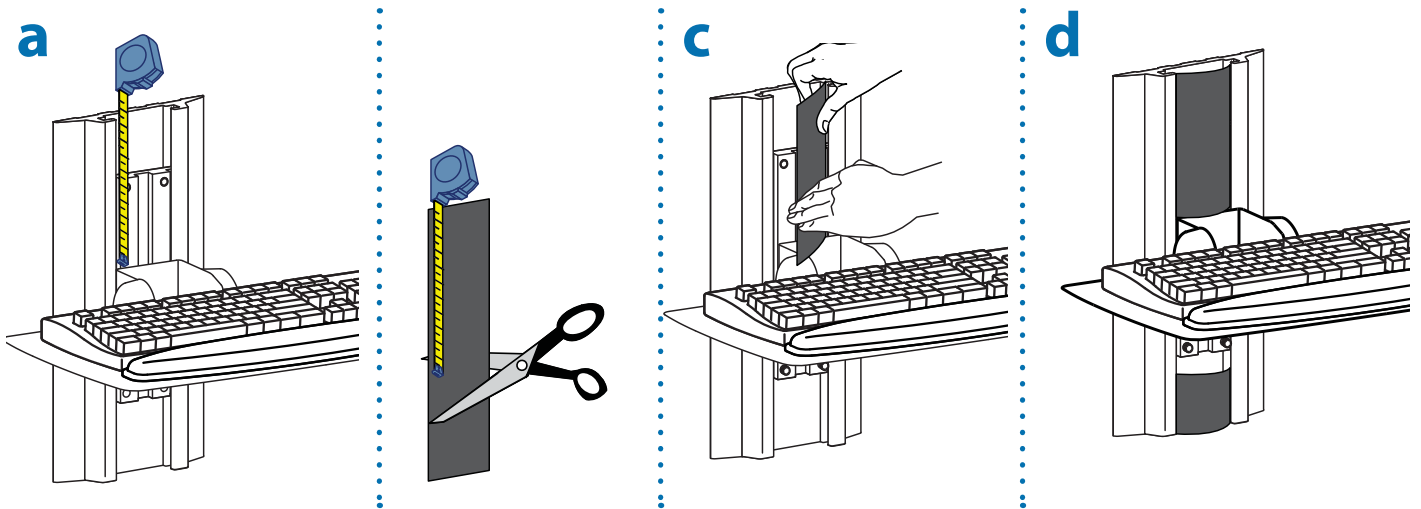
c Negative Tilt



7 Attach Mouse Pouch



8 Attach Cable Management

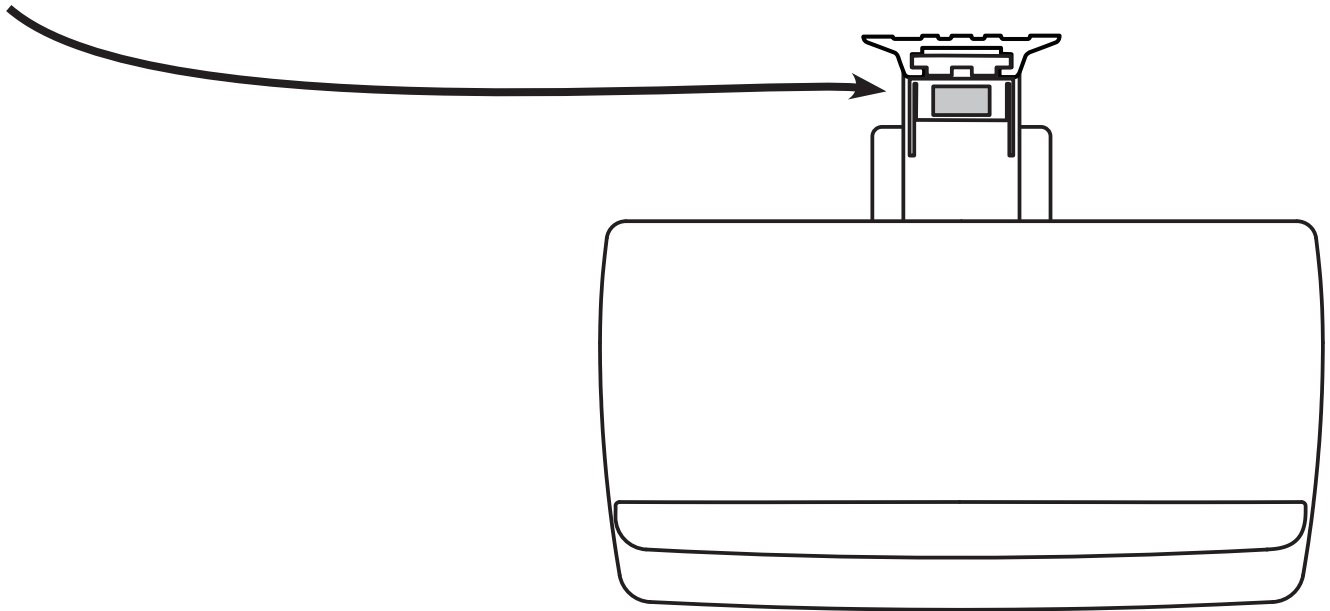


For Warranty visit: www.ergotron.com/warranty

For Service visit: www.ergotron.com

For local customer care phone numbers visit: <http://contact.ergotron.com>

NOTE: When contacting customer service, reference the serial number.



ergotron®

www.ergotron.com | USA: 1-800-888-8458 | Europe: +31 (0)33-45 45 600 | China: 400-120-3051 | Japan: japansupport@ergotron.com

© 2015 Ergotron, Inc. All rights reserved.

While Ergotron, Inc. makes every effort to provide accurate and complete information on the installation and use of its products, it will not be held liable for any editorial errors or omissions (including those made in the process of translation from English to another language), or for incidental, special or consequential damages of any nature resulting from furnishing this instruction and performance of equipment in connection with this instruction. Ergotron, Inc. reserves the right to make changes in the product design and/or product documentation without notification to its users. For the most current product information, or to know if this document is available in languages other than those herein, please contact Ergotron. No part of this publication may be reproduced, stored in a retrieval system, or transmitted in any form or by any means, electronic, mechanical, photocopying, recording or otherwise without the prior written consent of Ergotron, Inc., 1181 Trapp Road, Eagan, Minnesota, 55121, USA. Patents Pending and Patented U.S. & Foreign. Ergotron is a registered trademark of Ergotron, Inc.