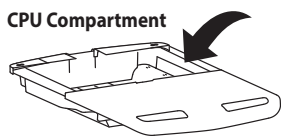
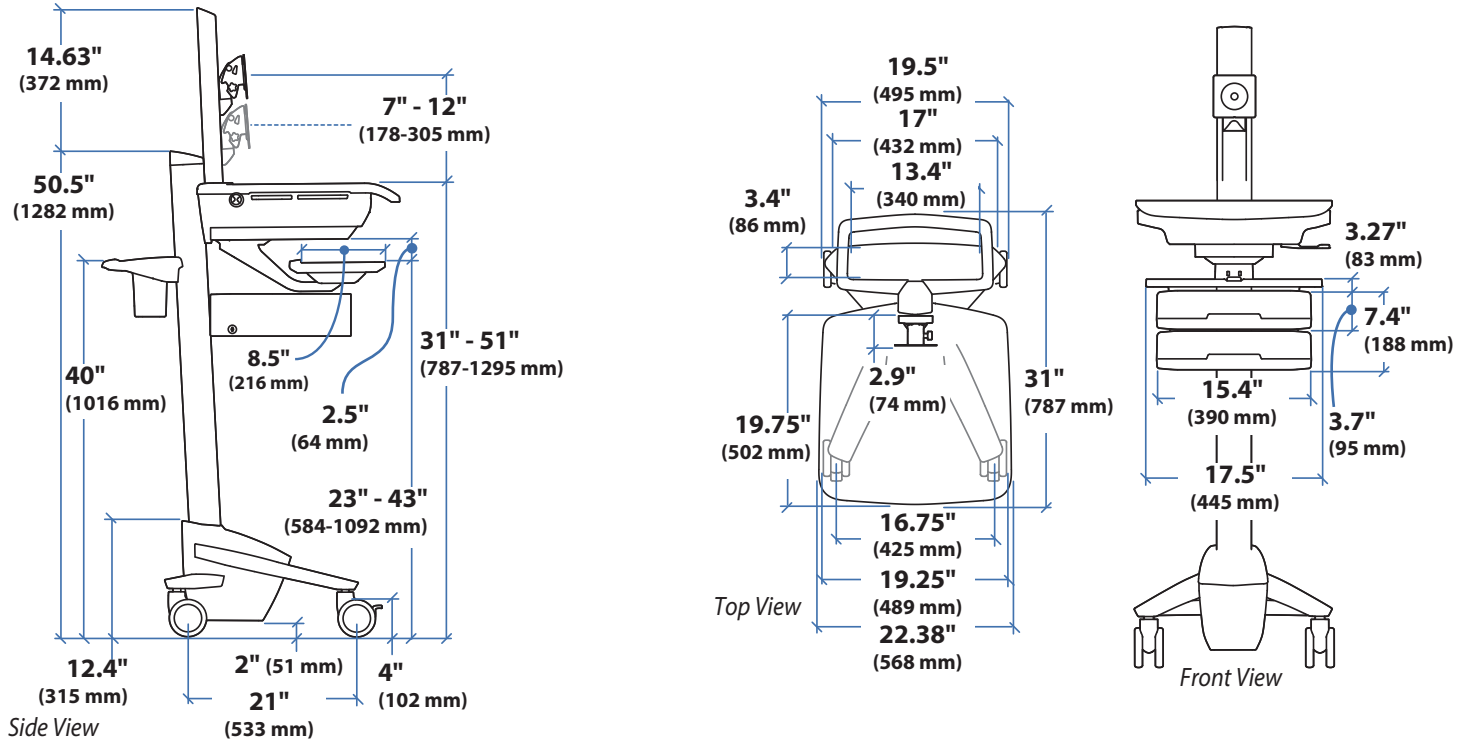
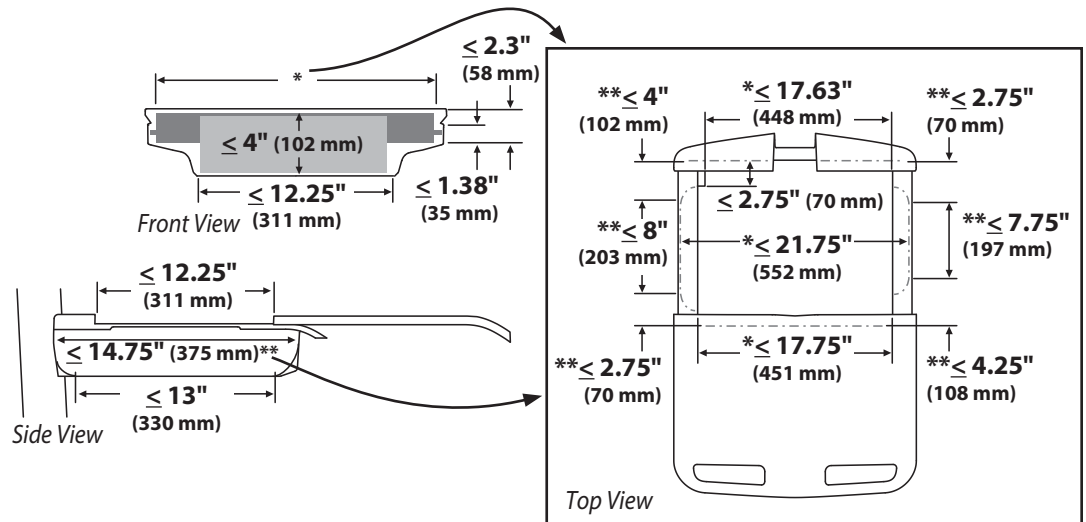


Dimensions



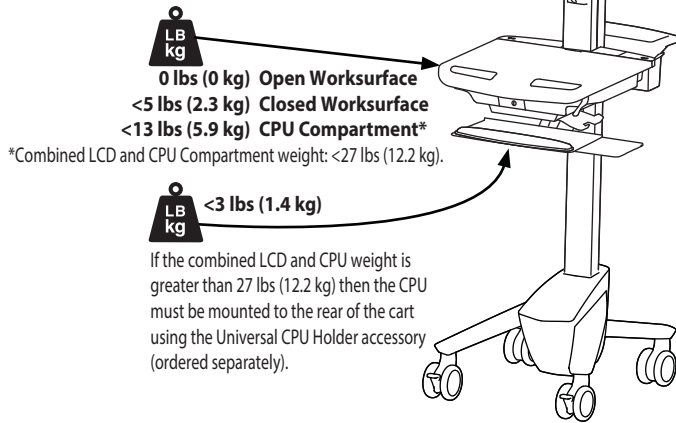
CPU Compartment

When figuring dimensions, include mounted accessories, protruding cables and port replicators or docking stations.

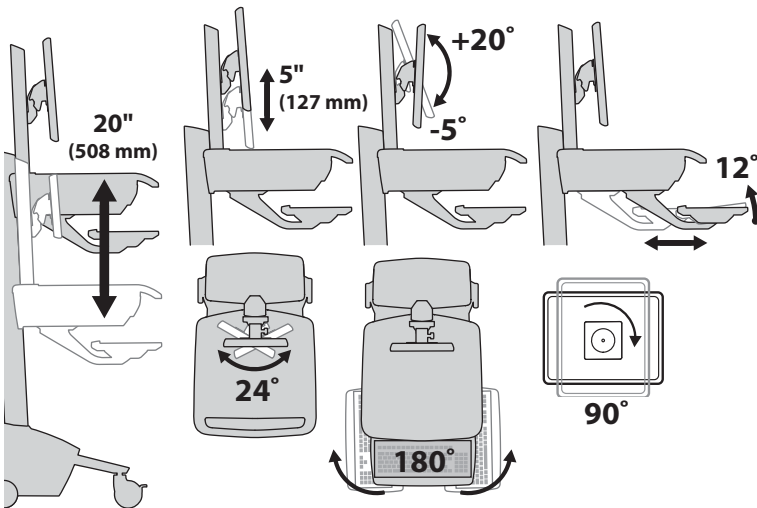


Weight Capacity

With Independent LCD Lift: <14 lbs (6.4 kg)	Without Independent LCD Lift: 20 lbs (9 kg)
--	--



Range of Motion



© 2014 Ergotron, Inc. rev. 03/28/2022 DIM-SV43Pivot Content is subject to change without notification

Americas Sales and Corporate Headquarter

St. Paul, MN USA
 (800) 888-8458
 +1-651-681-7600
 www.ergotron.com
 insidesales@ergotron.com

EMEA Sales

Amersfoort, The Netherlands
 +31 33 45 45 600
 www.ergotron.com
 info.eu@ergotron.com

APAC Sales

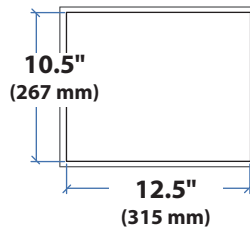
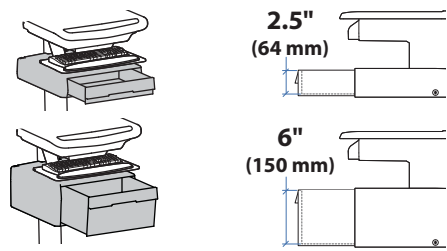
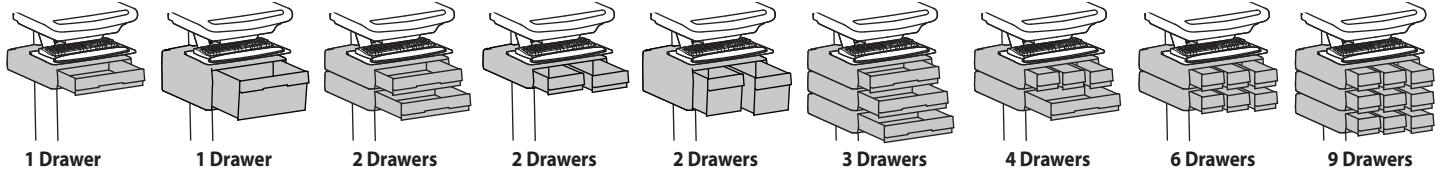
Sydney, Australia
 www.ergotron.com
 apaccustomerservice@ergotron.com

Worldwide OEM Sales

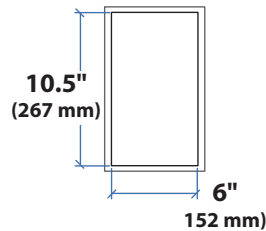
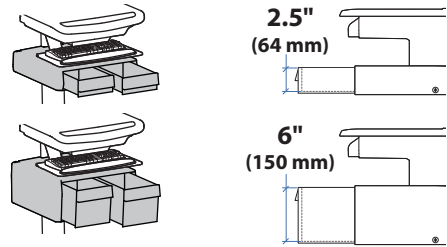
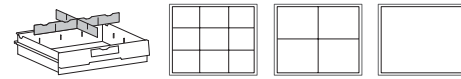
www.ergotron.com
 info.oem@ergotron.com

Dimensions

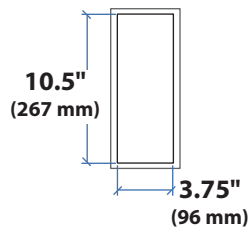
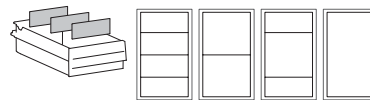
*Auto-Lock Drawer



LB kg Total weight capacity per drawer.
≤ 2 lbs (1 kg)



LB kg Total weight capacity per drawer.
≤ 1 lbs (0.5 kg)



LB kg Total weight capacity per drawer.
≤ 0.25 lbs (0.1 kg)

