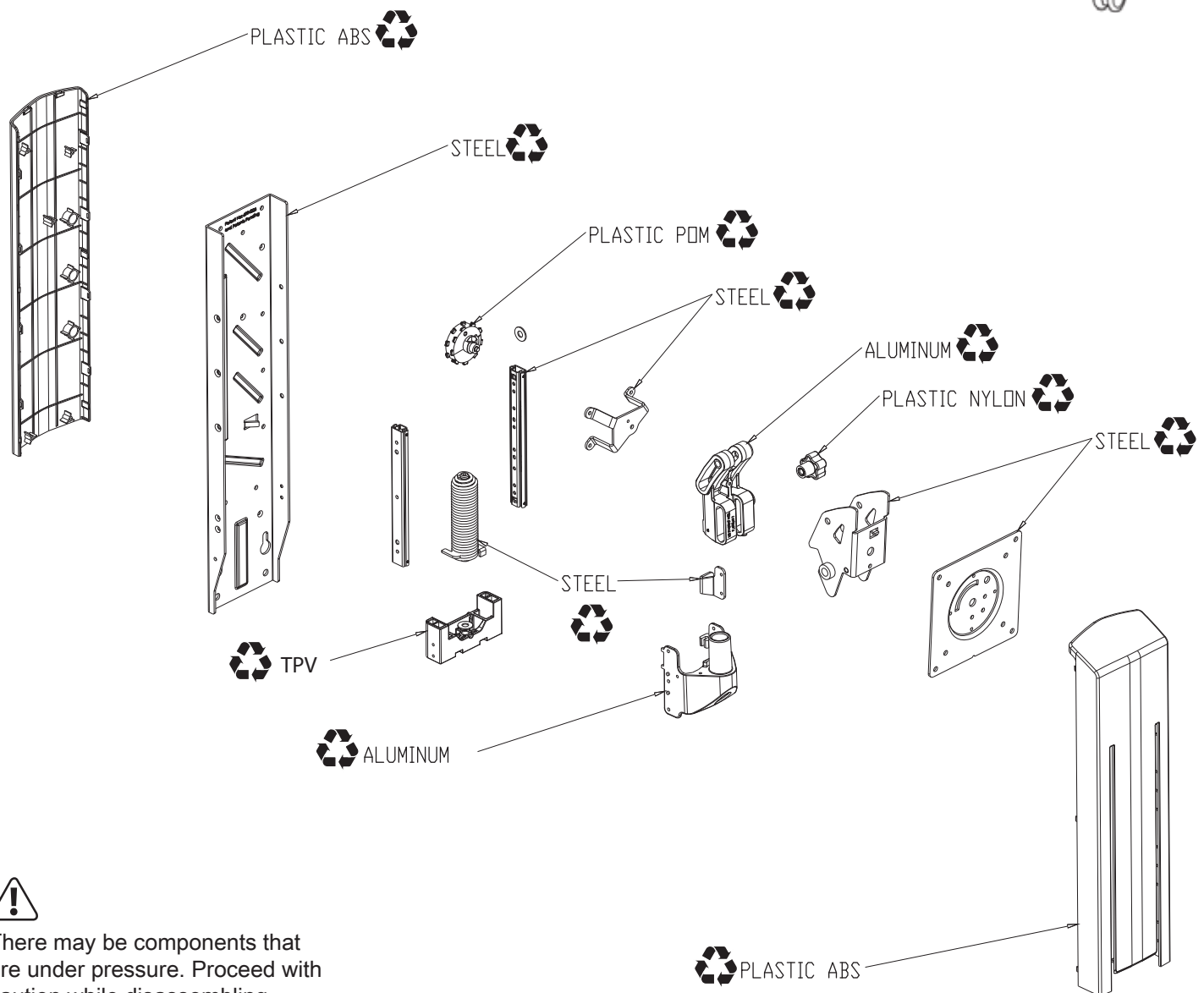
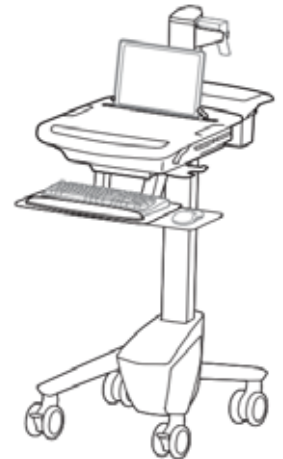
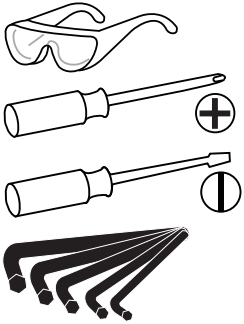


### StyleView Non-powered Cart Family: SV41-6100, SV41-6200, SV41-6300, SV41-6320

30 minute Disassembly  
Tools Needed:



There may be components that are under pressure. Proceed with caution while disassembling.

#### Equipment & Accessories Disposal

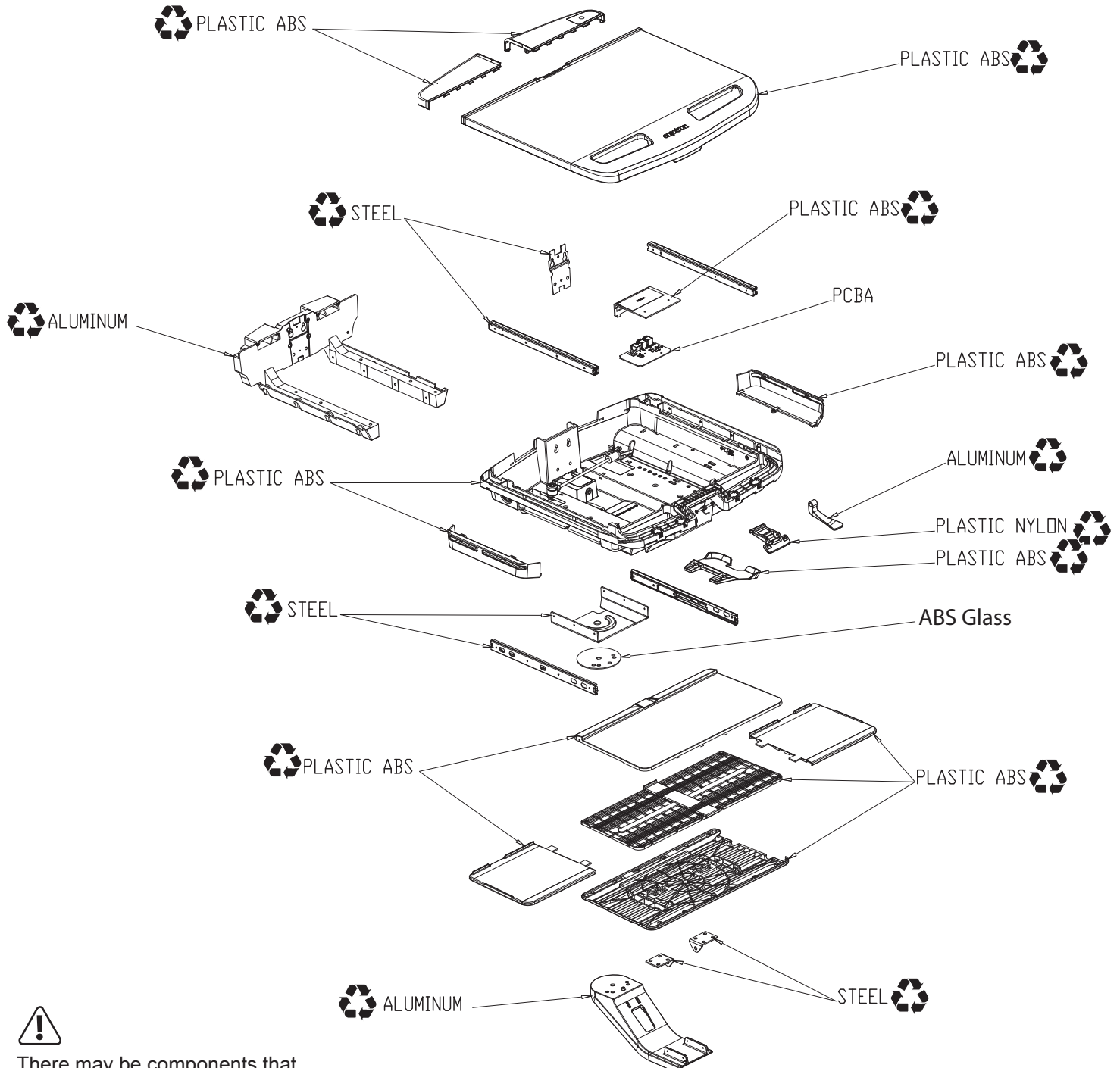
1. Please dispose of all batteries in accordance with local law.
2. All Electronics should be recycled through an electronics recycler.
3. Remaining plastics and metals can be recycled through a commercial recycler.

See website for more recycling information: [www.ergotron.com/en-us/company/environmentally-responsible](http://www.ergotron.com/en-us/company/environmentally-responsible)

[www.ergotron.com](http://www.ergotron.com) | USA: 1-800-888-8458 | Europe: +31 (0)33-45 45 600 | China: 400-120-3051 | Japan: [japansupport@ergotron.com](mailto:japansupport@ergotron.com)

© 2024 Ergotron, Inc. All rights reserved.

### StyleView Non-powered Cart Family: SV41-6100, SV41-6200, SV41-6300, SV41-6320



There may be components that are under pressure. Proceed with caution while disassembling.

#### Equipment & Accessories Disposal

1. Please dispose of all batteries in accordance with local law.
2. All Electronics should be recycled through an electronics recycler.
3. Remaining plastics and metals can be recycled through a commercial recycler.

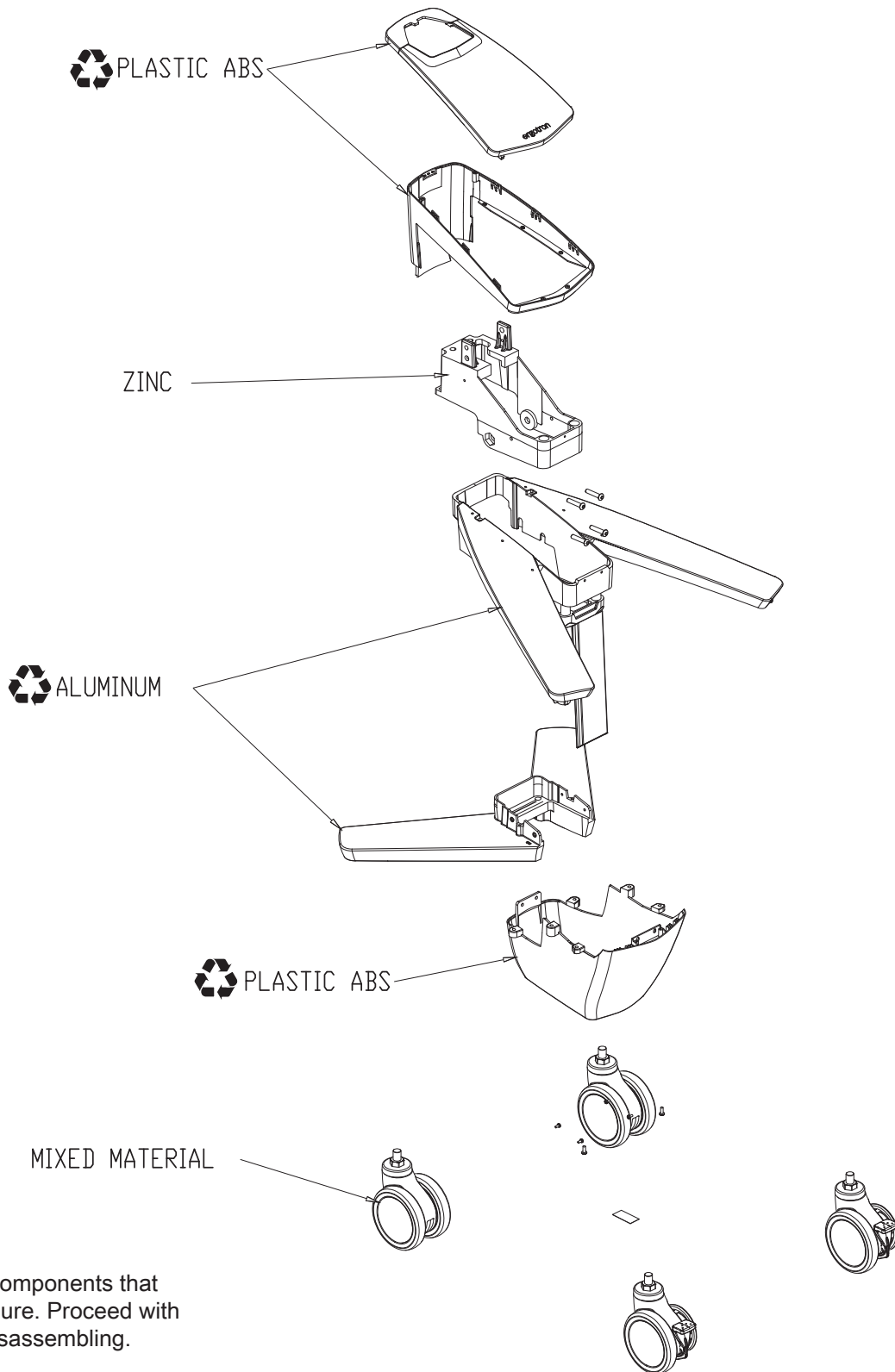
See website for more recycling information: [www.ergotron.com/en-us/company/environmentally-responsible](http://www.ergotron.com/en-us/company/environmentally-responsible)

www.ergotron.com | USA: 1-800-888-8458 | Europe: +31 (0)33-45 45 600 | China: 400-120-3051 | Japan: japansupport@ergotron.com

© 2024 Ergotron, Inc. All rights reserved.



### StyleView Non-powered Cart Family: SV41-6100, SV41-6200, SV41-6300, SV41-6320



There may be components that are under pressure. Proceed with caution while disassembling.

#### Equipment & Accessories Disposal

1. Please dispose of all batteries in accordance with local law.
2. All Electronics should be recycled through an electronics recycler.
3. Remaining plastics and metals can be recycled through a commercial recycler.

See website for more recycling information: [www.ergotron.com/en-us/company/environmentally-responsible](http://www.ergotron.com/en-us/company/environmentally-responsible)

[www.ergotron.com](http://www.ergotron.com) | USA: 1-800-888-8458 | Europe: +31 (0)33-45 45 600 | China: 400-120-3051 | Japan: [japansupport@ergotron.com](mailto:japansupport@ergotron.com)

© 2024 Ergotron, Inc. All rights reserved.