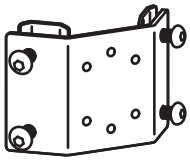
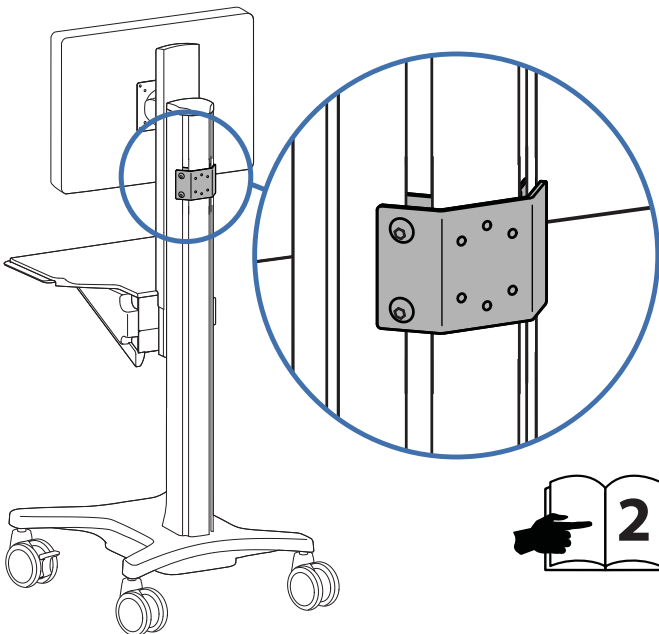


## T-Slot Interface Bracket



**T-Slot Interface Bracket**  
**Soporte de interfaz T-Slot**  
**Applique d'interface à rainure en T**  
**T-Slot Schnittstellenbügel**  
**Aanpassing voor beugel met T-gleuf**  
**Staffa interfaccia T-Slot**  
**T-スロットインターフェイスブラケット**  
**T型槽接口托板**

T

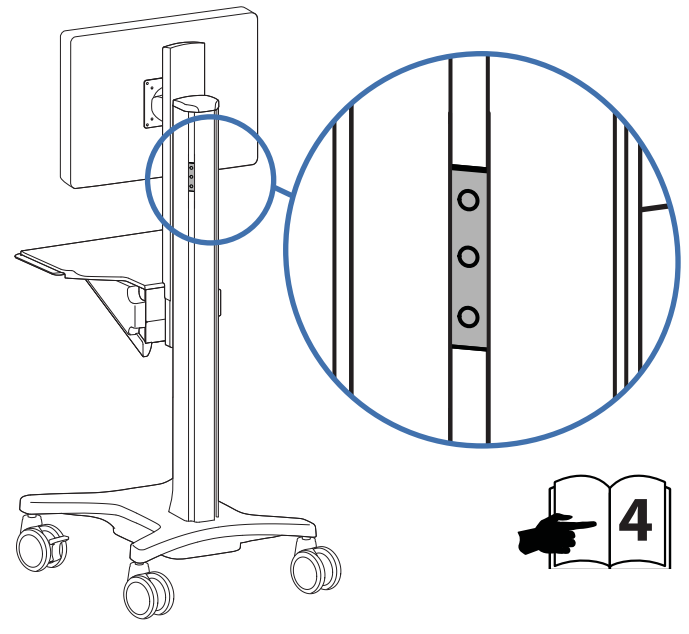


## Light Duty T-Slot Bracket



**Light Duty T-Slot Bracket**  
**Soporte T-Slot para pesos ligeros**  
**Applique à rainure en T pour usage léger**  
**T-Slot-Bügel für leichte Belastung**  
**Lichte beugel met T-gleuf**  
**Staffa T-Slot Light Duty**  
**ライトデューティー T-スロットブラケット**  
**轻型T形槽托板**

T

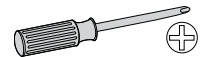


## Components

	A	B	C
1	1x 	4x M5 x 10mm 4x M5 x 12mm	1x  5-sided wrench llave pentagonal Clef Allen Inbusschlüssel 5-kantige sleutel Chiave a 5 lati 5角レンチ 5角扳手 5



**Tools Needed**



For local customer care phone numbers visit: <http://contact.ergotron.com>

For service and warranty visit [www.ergotron.com](http://www.ergotron.com)  
 Si desea información de servicio y garantía, visite [www.ergotron.com](http://www.ergotron.com)  
 Pour toute question concernant la garantie ou le service client, consultez [www.ergotron.com](http://www.ergotron.com)  
 Weitere Informationen zu Service und Gewährleistung erhalten Sie unter [www.ergotron.com](http://www.ergotron.com).  
 Ga voor service en garantie naar [www.ergotron.com](http://www.ergotron.com)  
 Per assistenza e la garanzia visitare [www.ergotron.com](http://www.ergotron.com)  
 Gå in på [www.ergotron.com](http://www.ergotron.com) för service och garanti  
 サービスおよび保証について詳しくは、[www.ergotron.com](http://www.ergotron.com) をご覧ください。  
 有关服务和保修，请访问 [www.ergotron.com](http://www.ergotron.com)

888-60-186-00 rev. C • 09/13



[www.ergotron.com](http://www.ergotron.com)

USA 1-800-888-8458

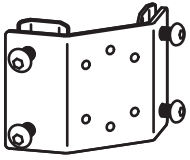
Europe +31 (0)33-45 45 600

China 86-769-86018920

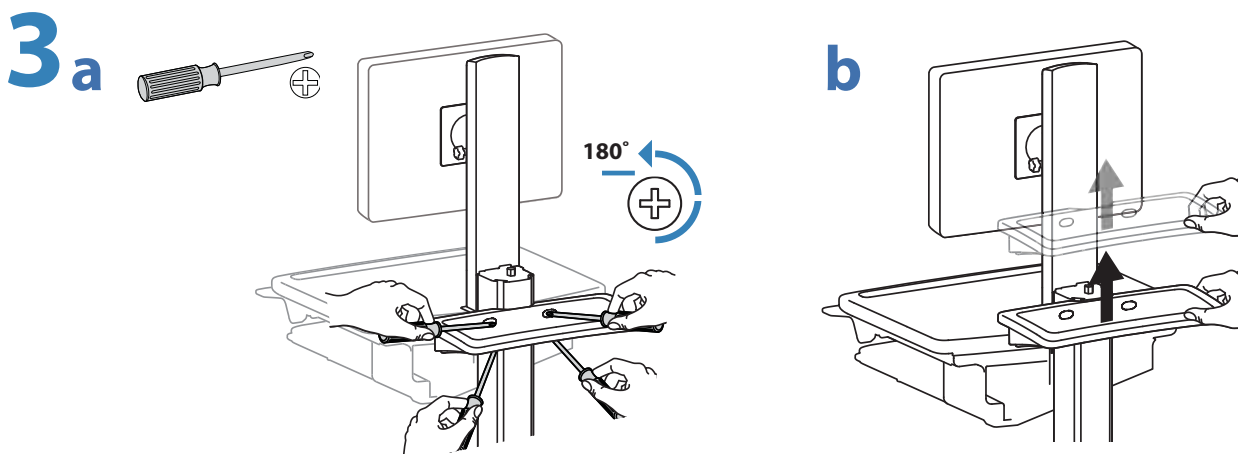
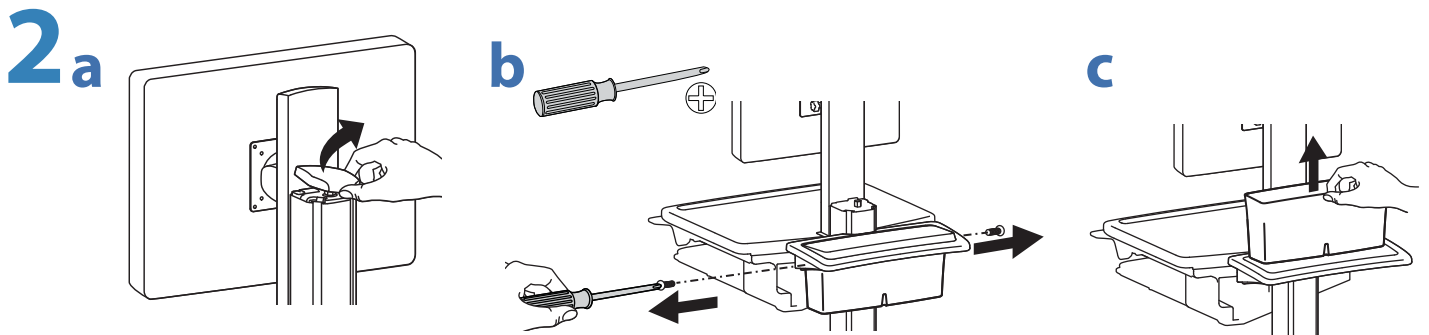
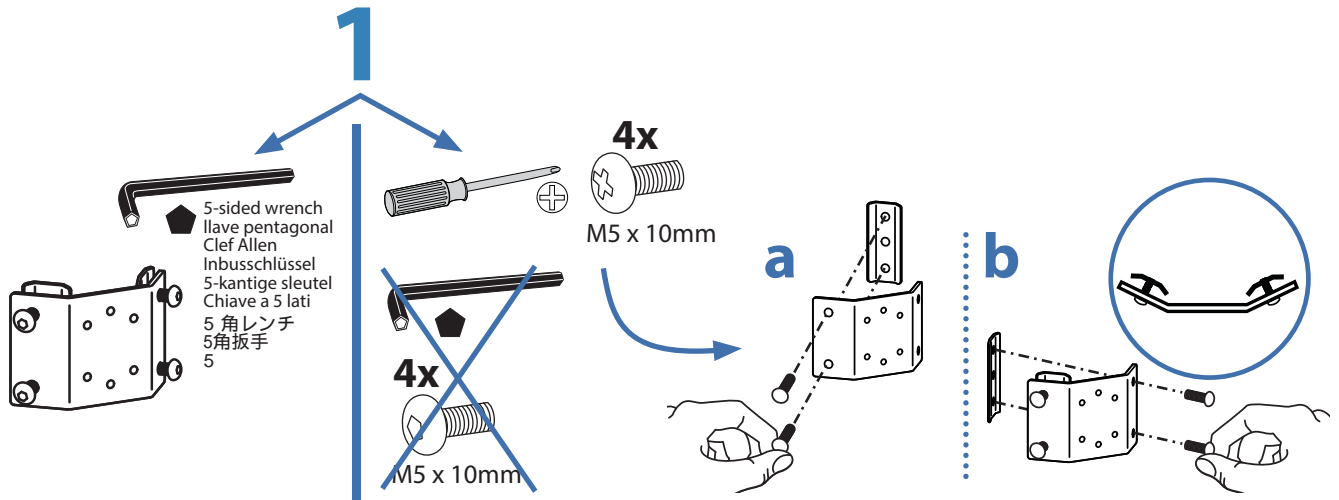


**Reduce  
Reuse  
Recycle**

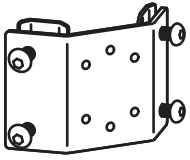
# T-Slot Interface Bracket



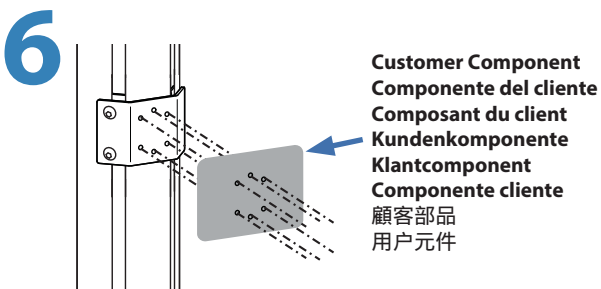
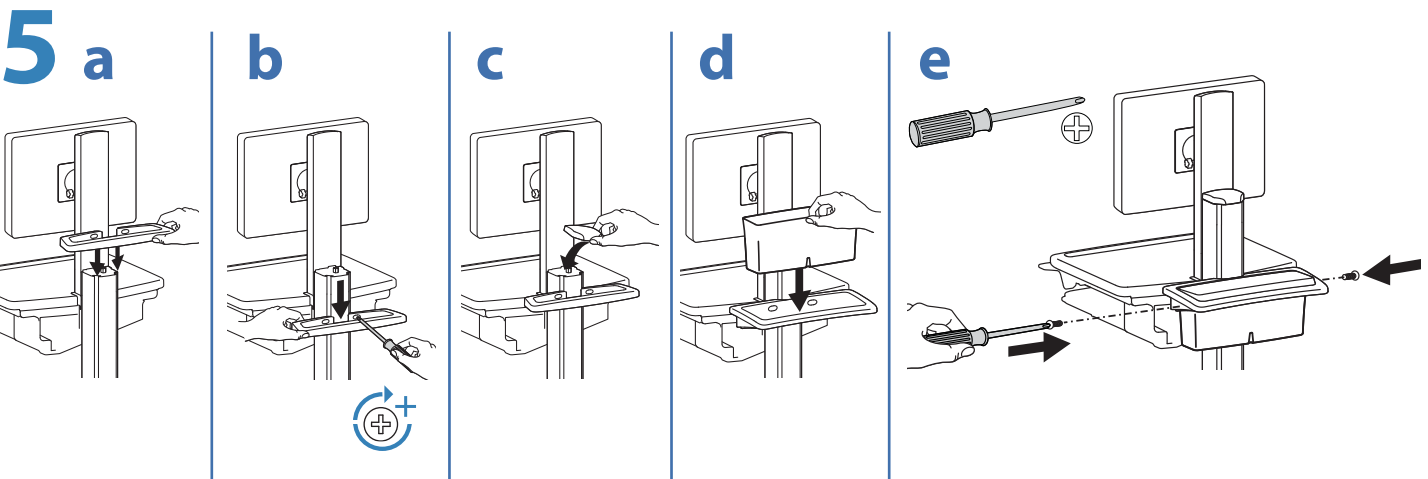
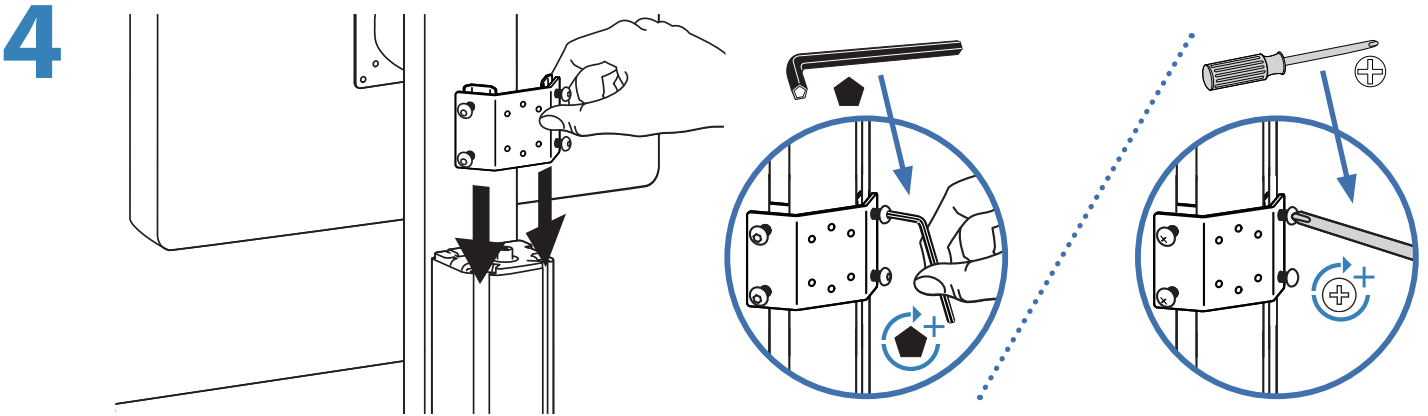
**T-Slot Interface Bracket**  
**Soporte de interfaz T-Slot**  
**Applique d'interface à rainure en T**  
**T-Slot Schnittstellenbügel**  
**Aanpassing voor beugel met T-gleuf**  
**Staffa interfaccia T-Slot**  
**T-スロットインターフェイスブラケット**  
**T型槽接口托板**  
**T**



# T-Slot Interface Bracket



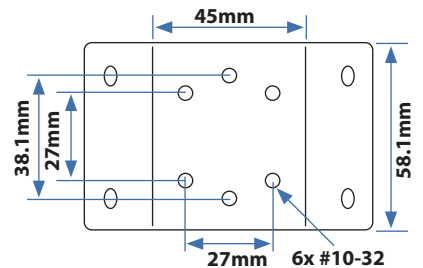
**T-Slot Interface Bracket**  
**Soporte de interfaz T-Slot**  
**Applique d'interface à rainure en T**  
**T-Slot Schnittstellenbügel**  
**Aanpassing voor beugel met T-gleuf**  
**Staffa interfaccia T-Slot**  
**T-スロットインターフェイスブラケット**  
**T型槽接口托板**  
**T**



**Customer Component**  
**Componente del cliente**  
**Composant du client**  
**Kundenkomponente**  
**Klantcomponente**  
**Componente cliente**  
**顧客部品**  
**用戶元件**



**Customer supplied fasteners**  
**Tornillería suministrada por el cliente**  
**Attaches fournies par le client**  
**Fixadores fornecidos ao cliente**  
**Vom Kunden beigestellte Halterungen.**  
**Door klant geleverde gespen**  
**Dispositivi di fissaggio forniti dal cliente**  
**ユーザーが用意する留金**  
**客戶提供的緊固件**



# Light Duty T-Slot Bracket



Light Duty T-Slot Bracket  
Soporte T-Slot para pesos ligeros  
Applique à rainure en T pour usage léger  
T-Slot-Bügel für leichte Belastung  
Lichte beugel met T-gleuf  
Staffa T-Slot Light Duty  
ライトデュティー T-スロットブラケット  
轻型T形槽托板

T

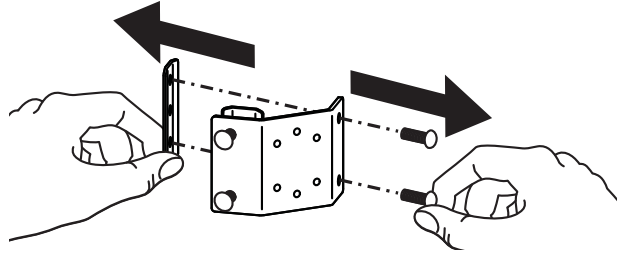
1



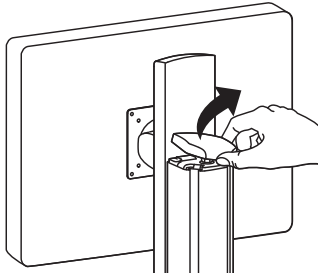
2x



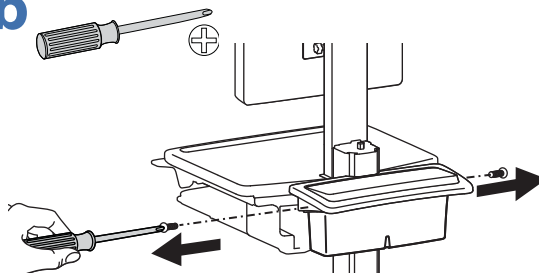
M5 x 10mm



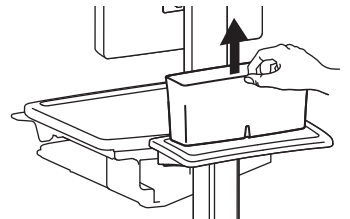
2a



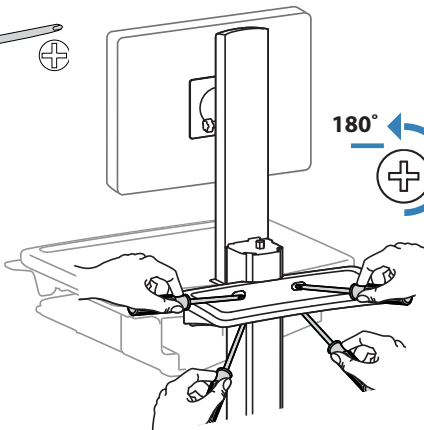
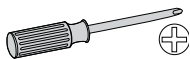
b



c



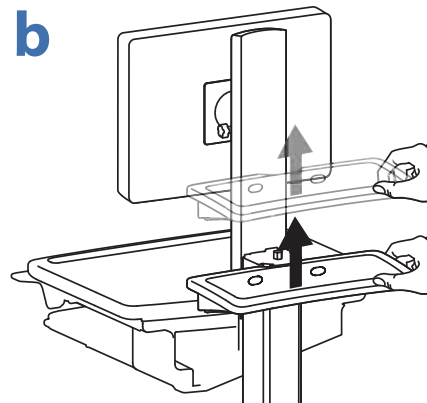
3a



180°



b

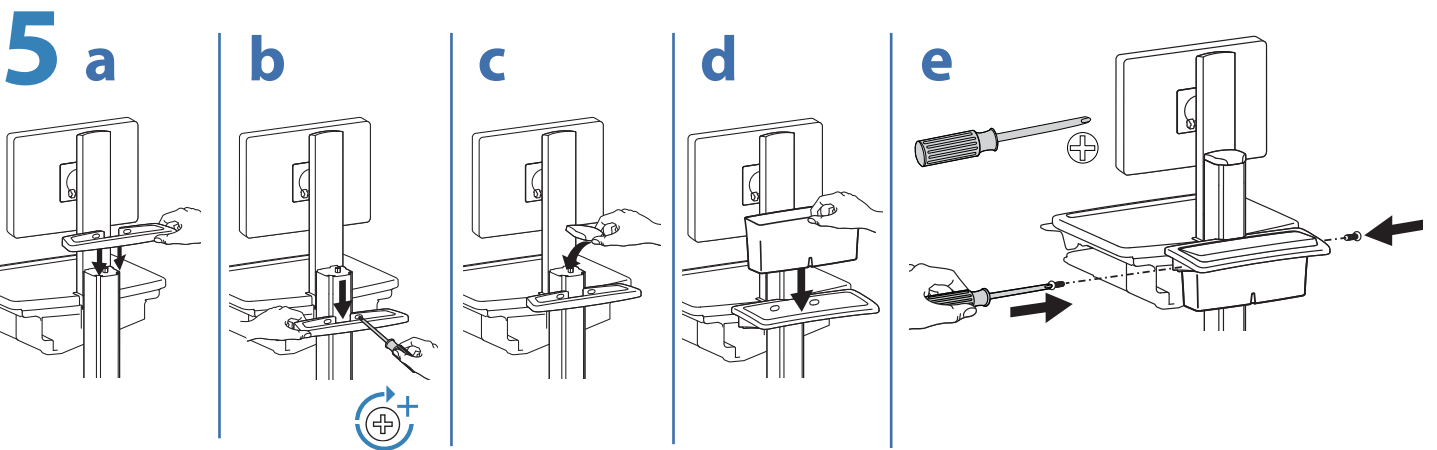
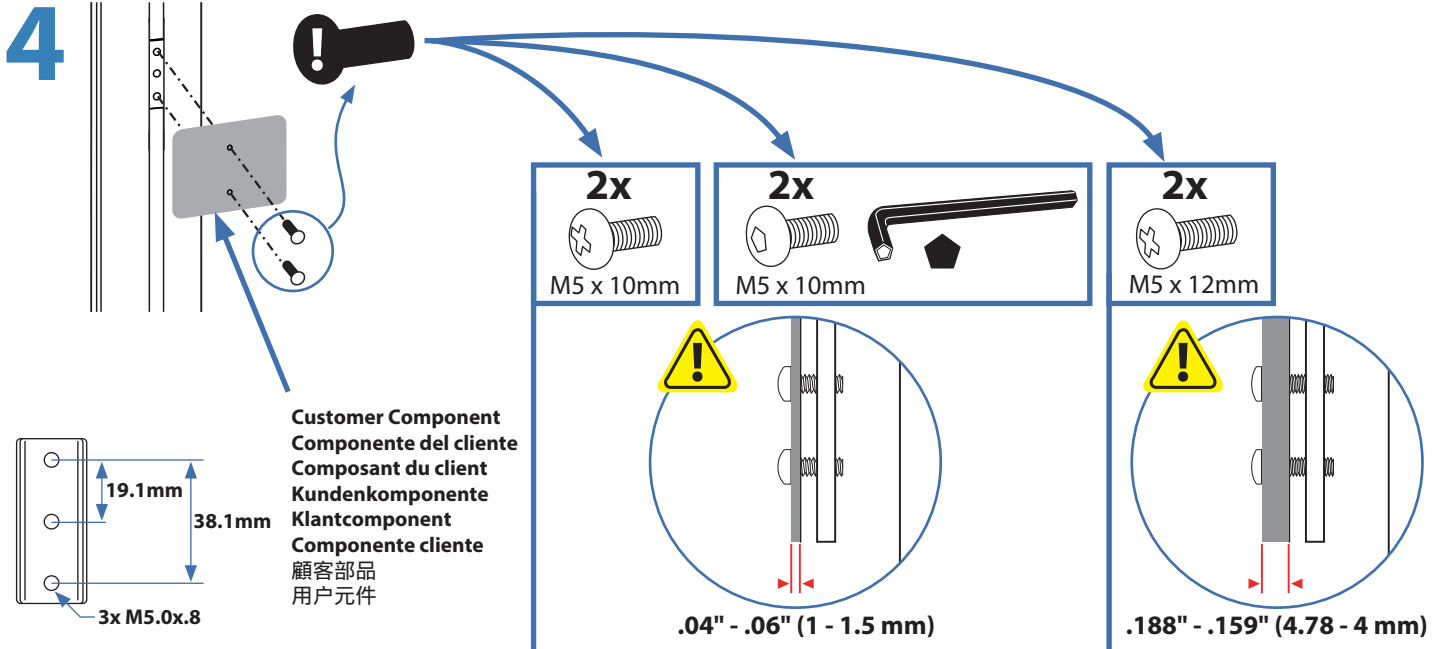


# Light Duty T-Slot Bracket



Light Duty T-Slot Bracket  
 Soporte T-Slot para pesos ligeros  
 Applique à rainure en T pour usage léger  
 T-Slot-Bügel für leichte Belastung  
 Lichte beugel met T-gleuf  
 Staffa T-Slot Light Duty  
 ライトデューティー T-スロットブラケット  
 轻型T形槽托板

T



© 2013 Ergotron, Inc.  
 All rights reserved.

While Ergotron, Inc. makes every effort to provide accurate and complete information on the installation and use of its products, it will not be held liable for any editorial errors or omissions (including those made in the process of translation from English to another language), or for incidental, special or consequential damages of any nature resulting from furnishing this instruction and performance of equipment in connection with this instruction. Ergotron, Inc. reserves the right to make changes in the product design and/or product documentation without notification to its users. For the most current product information, or to know if this document is available in languages other than those herein, please contact Ergotron. No part of this publication may be reproduced, stored in a retrieval system, or transmitted in any form or by any means, electronic, mechanical, photocopying, recording or otherwise without the prior written consent of Ergotron, Inc., 1181 Trapp Road, Eagan, Minnesota, 55121, USA Patents Pending and Patented U.S. & Foreign. Ergotron is a registered trademark of Ergotron, Inc.

**Americas Sales and Corporate Headquarters**

St. Paul, MN USA  
 (800) 888-8458  
 +1-651-681-7600  
 www.ergotron.com  
 sales@ergotron.com

**EMEA Sales**

Amersfoort, The Netherlands  
 +31 33 45 45 600  
 www.ergotron.com  
 info.eu@ergotron.com

**APAC Sales**

Tokyo, Japan  
 www.ergotron.com  
 apaccustomerservice@ergotron.com

**Worldwide OEM Sales**

www.ergotron.com  
 info.oem@ergotron.com