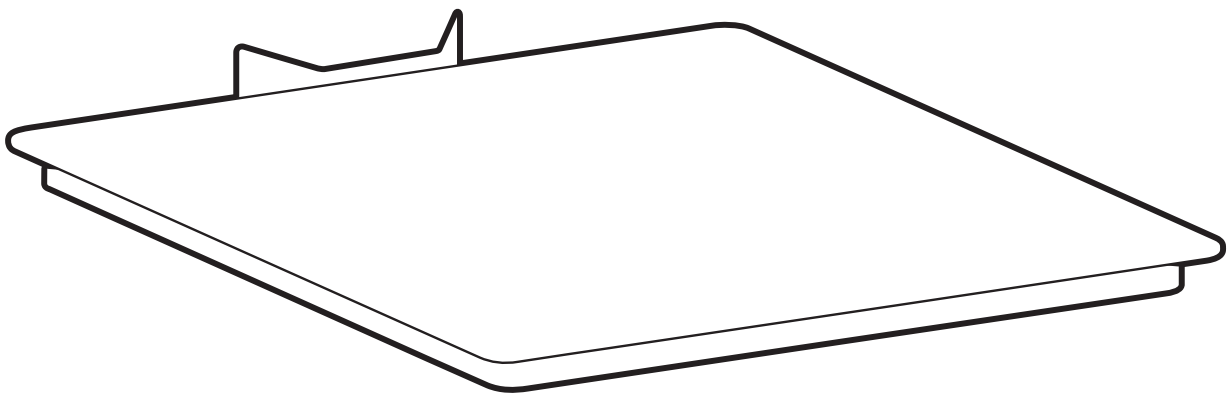


# ergotron®

---

## Large Utility Shelf



---

**English**



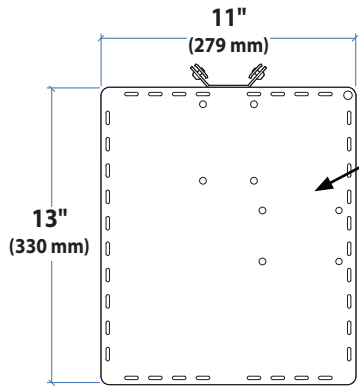
For the latest User Installation Guide please visit: [www.ergotron.com](http://www.ergotron.com)

English, Español, Français, Deutsch, Nederlands, Italiano, Svenska, 日本語, 汉语

[www.ergotron.com](http://www.ergotron.com) | USA: 1-800-888-8458 | Europe: +31 (0)33-45 45 600 | China: 400-120-3051 | Japan: [japansupport@ergotron.com](mailto:japansupport@ergotron.com)

---

# Features & Specifications



**Weight Capacity:**

**Cart mount  $\leq 8$  lbs (3.6 kg)**

**Wall Track Mount  $\leq 25$  lbs (11.3 kg)**

**Wall Plate Mount  $\leq 25$  lbs (11.3 kg)**



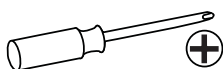
**CAUTION: DO NOT EXCEED MAXIMUM LISTED WEIGHT CAPACITY. SERIOUS INJURY OR PROPERTY DAMAGE MAY OCCUR!**

## Components

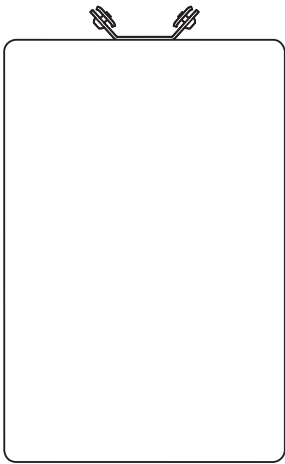


	A	B	C
1	<b>1x</b> 	<b>1x</b>  <b>2x</b> 	Security Screw <b>1x</b>  <b>M4 x 6mm</b>
2	5-sided Security Wrench <b>1x</b>  <b>5mm</b> <b>1x</b>  <b>4mm</b>	<b>2x</b>  <b>M5 x 13mm</b> <b>1x</b> 	<b>4x</b>  <b>8-32 x 3/8"</b>
3	<b>1x</b>  <b>3/32"</b> <b>1x</b>  <b>3mm</b>	<b>4x</b>  <b>M4 x 12mm</b>	<b>4x</b>  <b>M5 x 10mm</b>

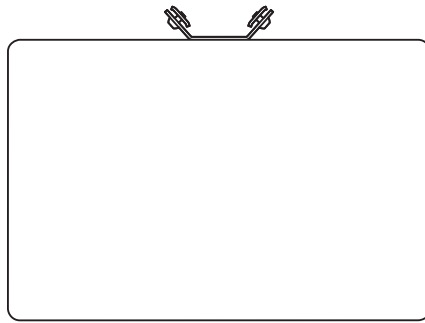
## Tools Needed



1



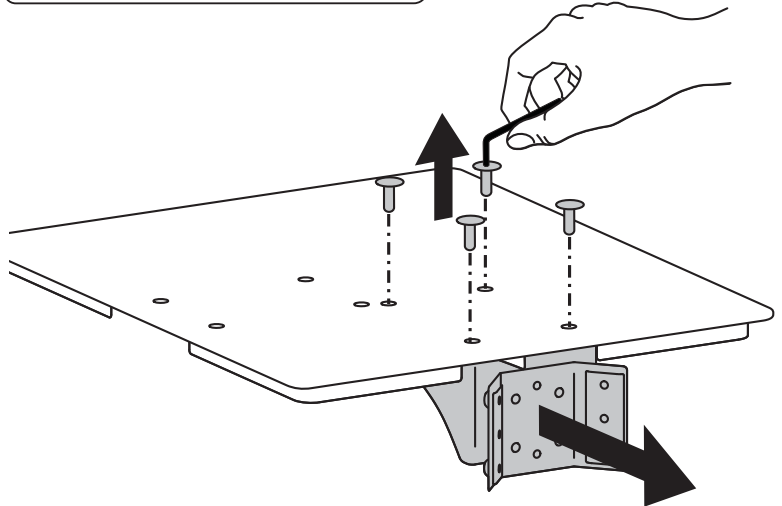
→ 2



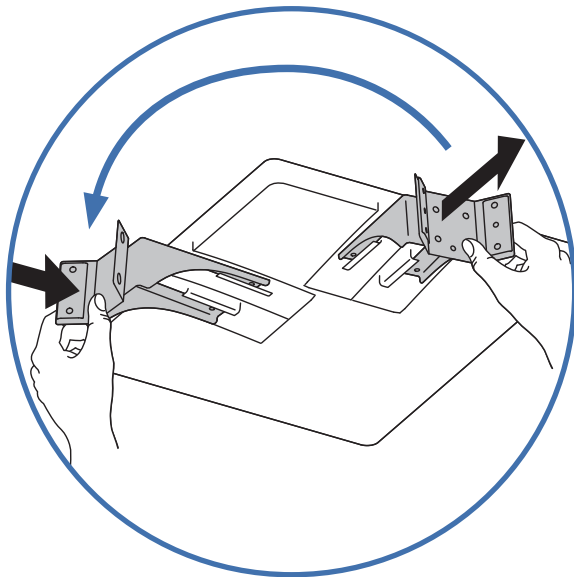
5-sided Security Wrench



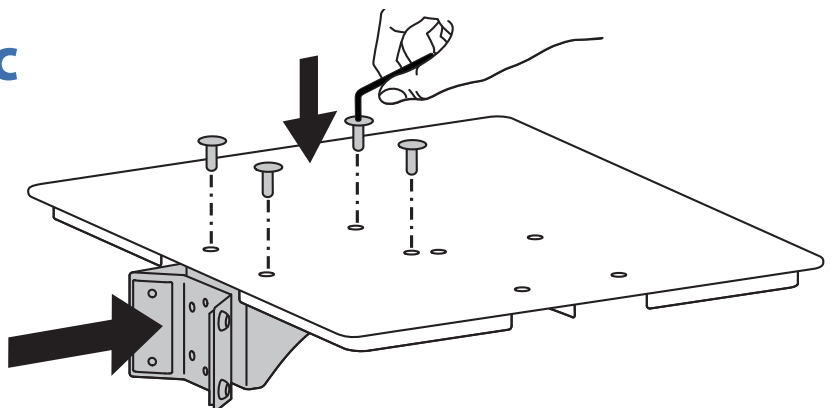
a



b

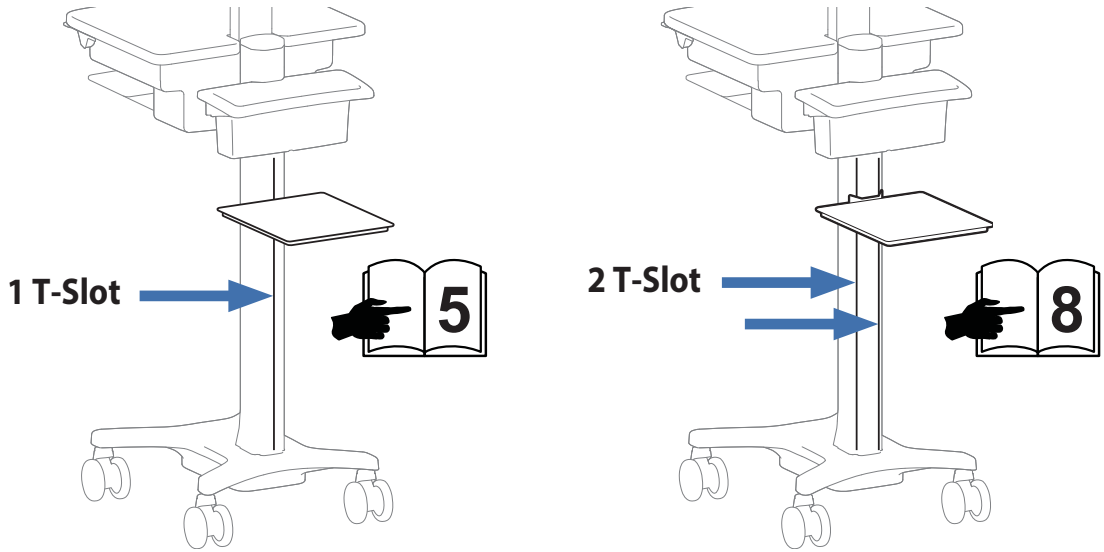


c

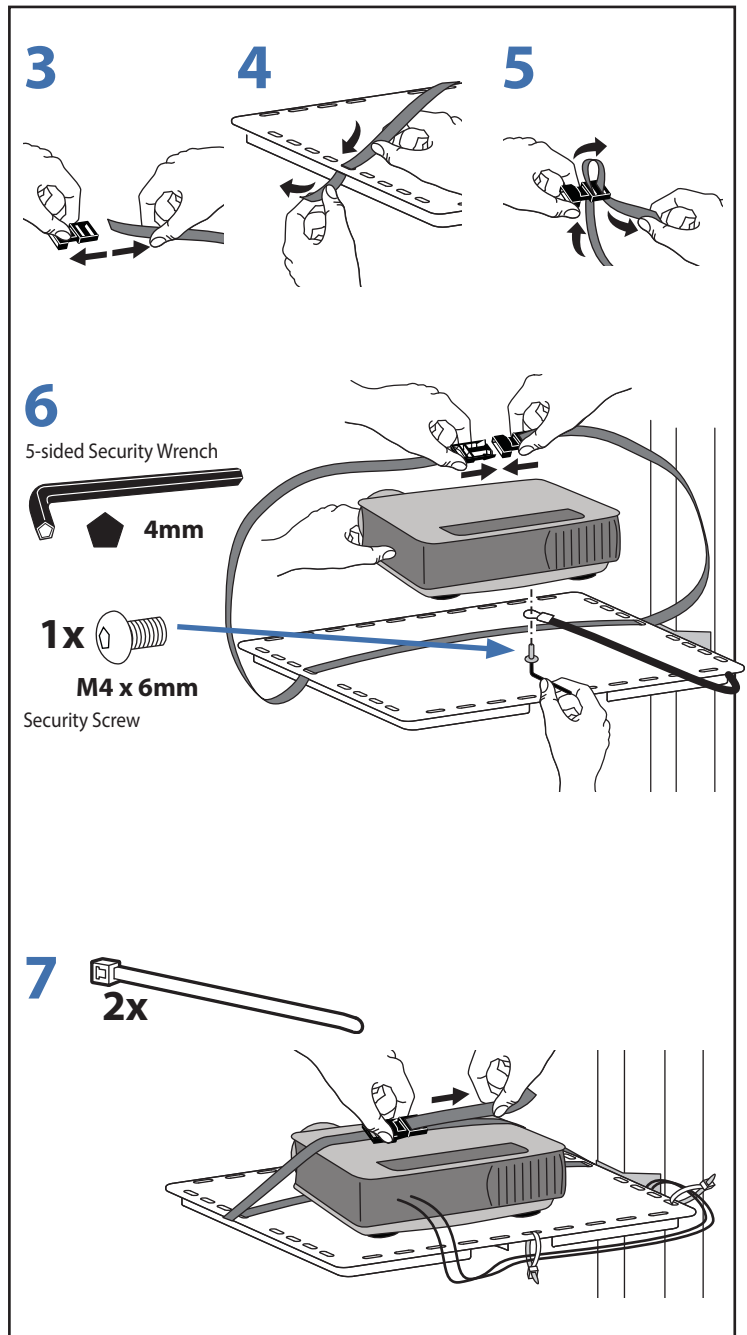
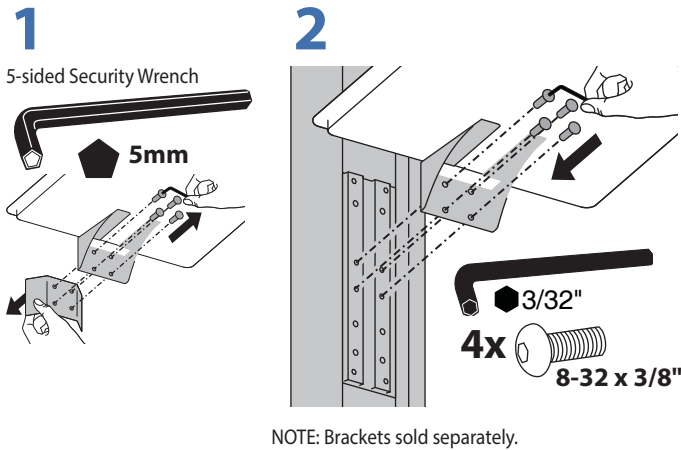


# 2

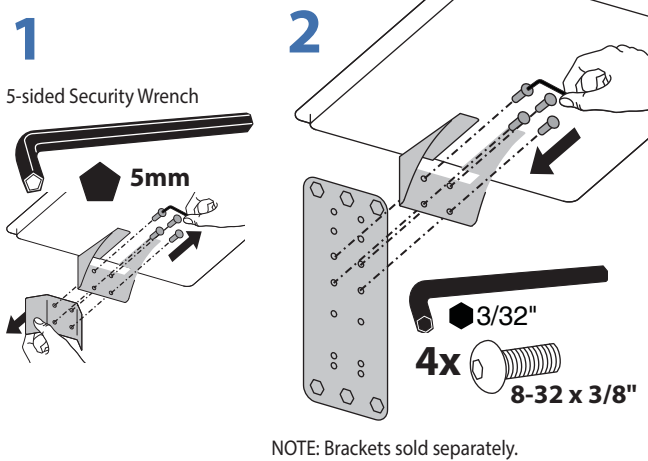
## Cart Mount



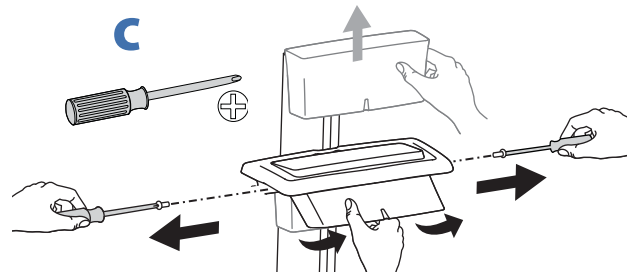
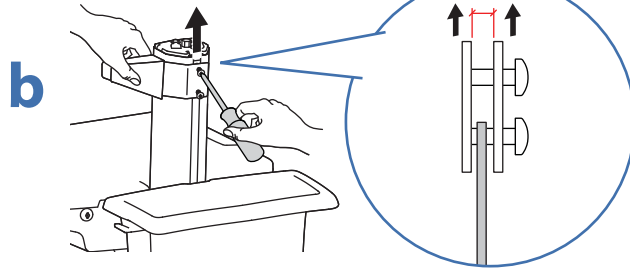
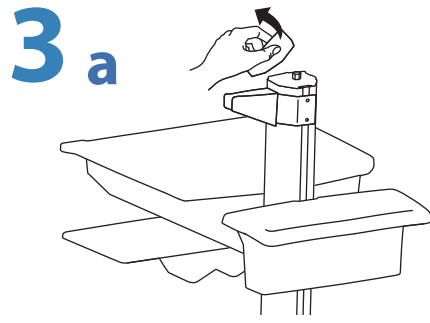
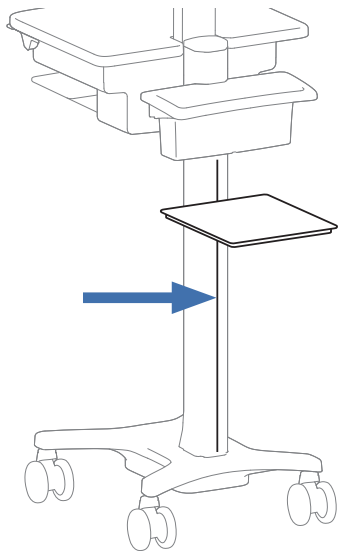
## Wall Track Mount



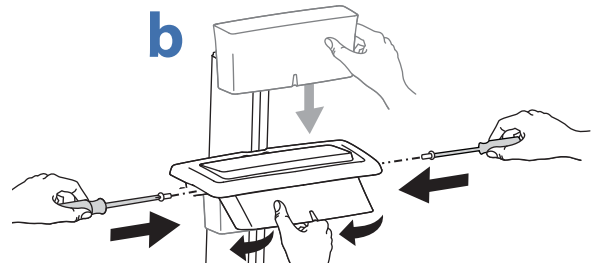
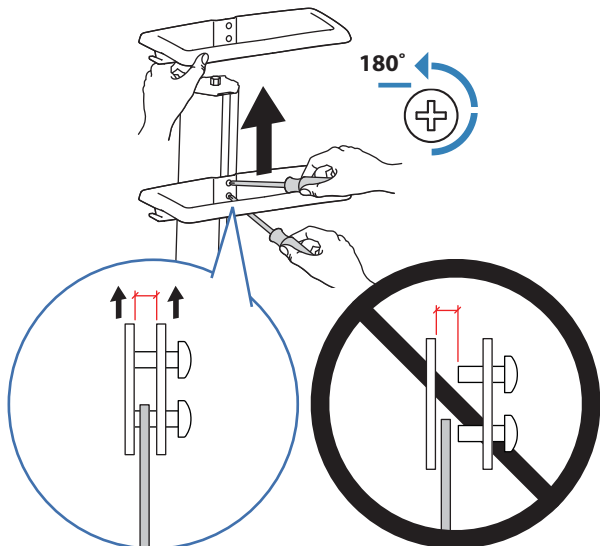
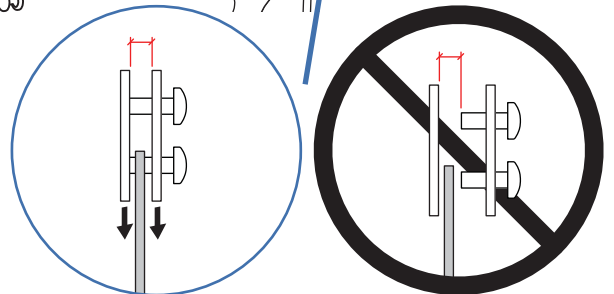
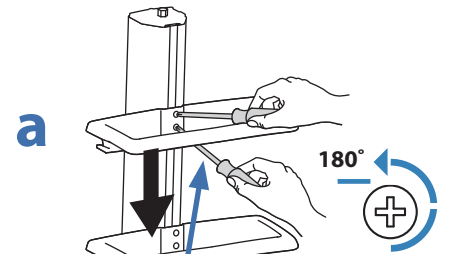
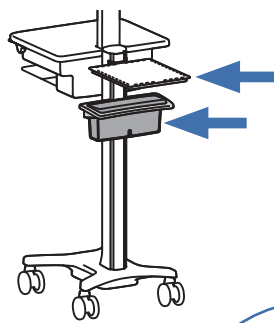
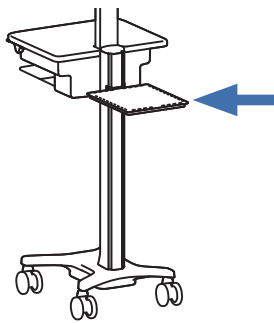
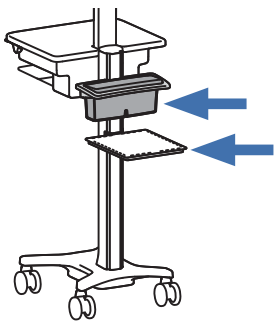
## Wall Plate Mount



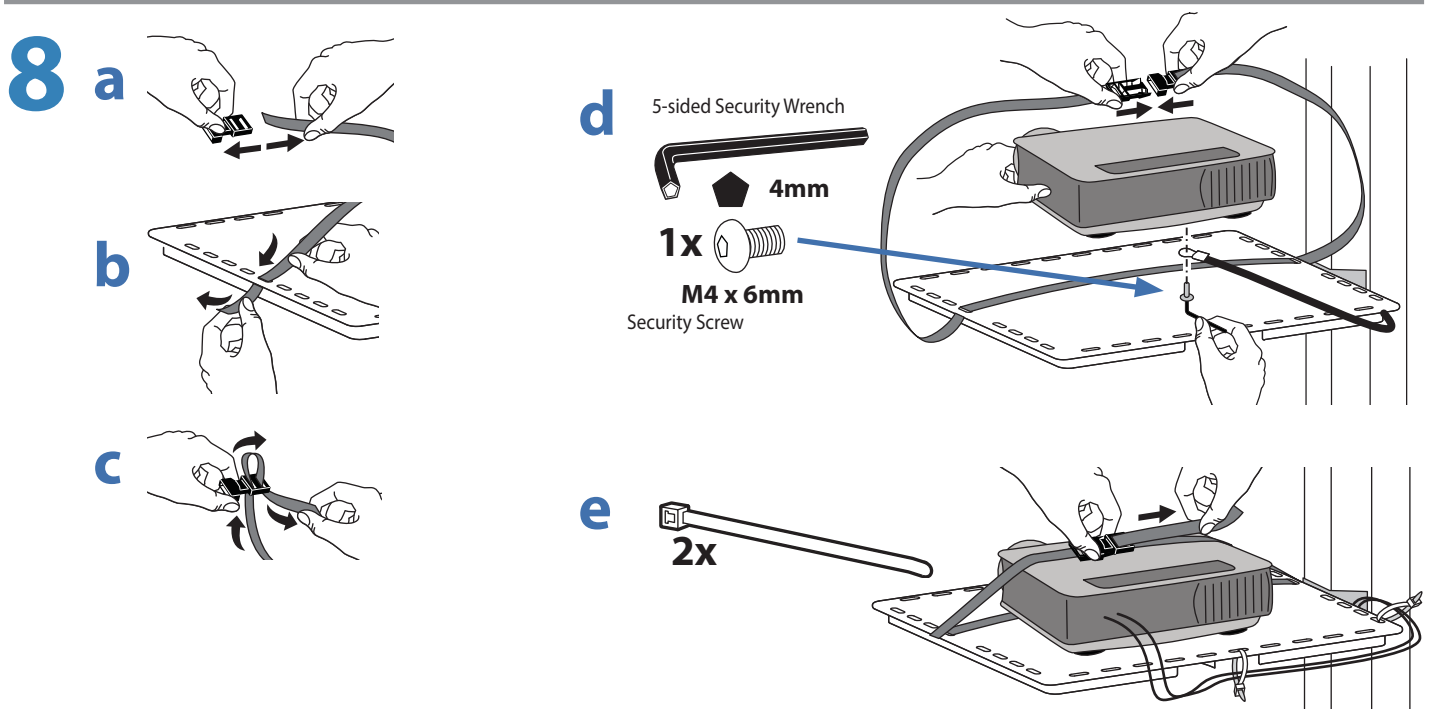
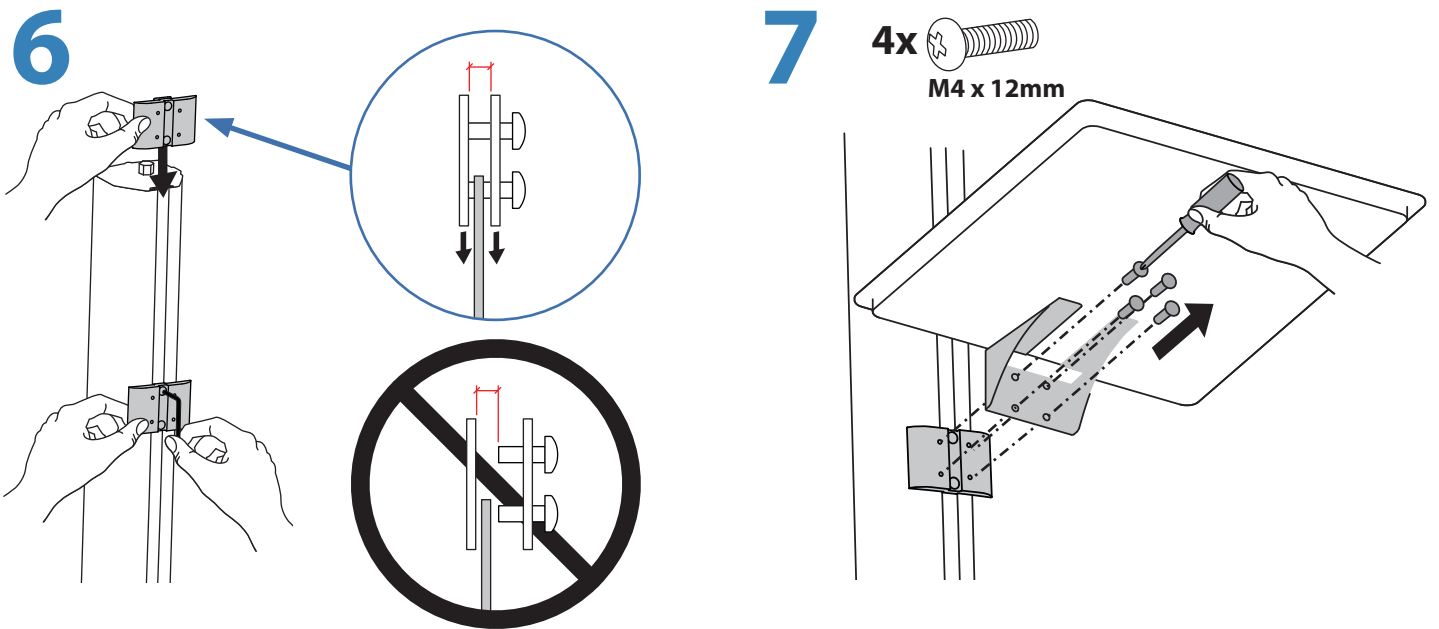
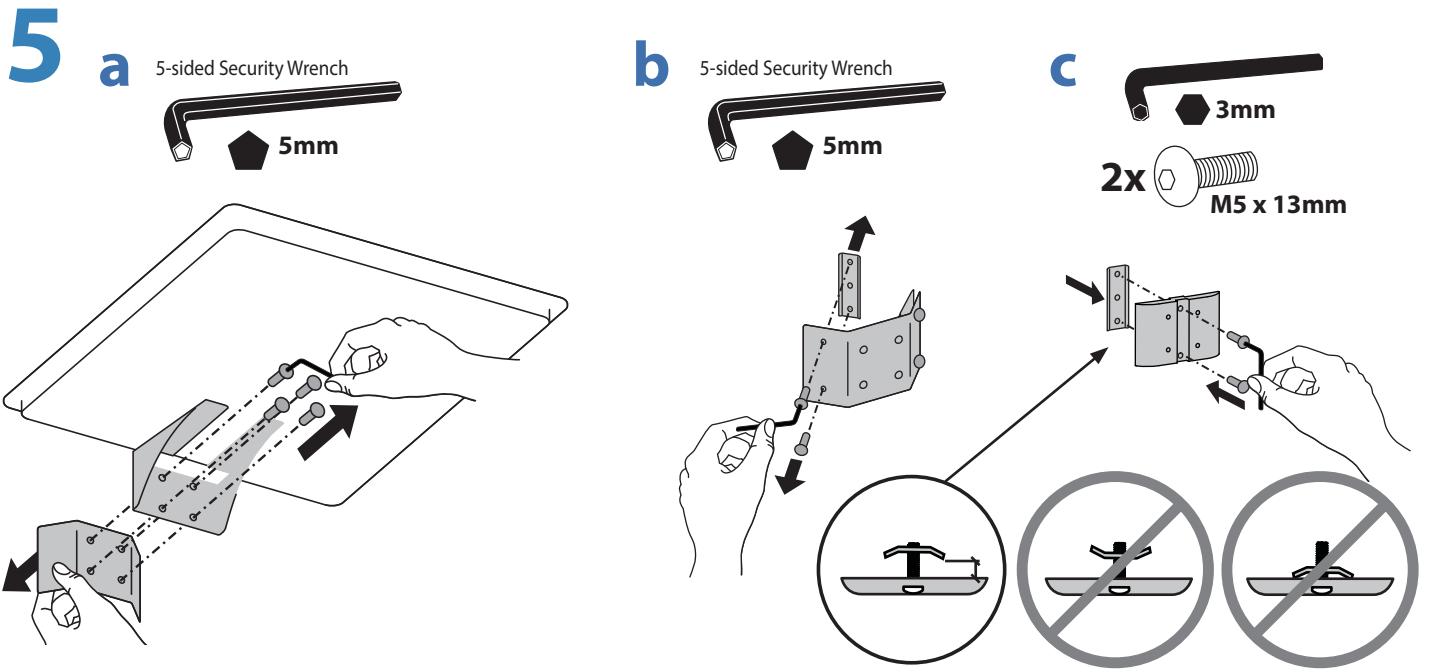
# 1 T-Slot



# 4



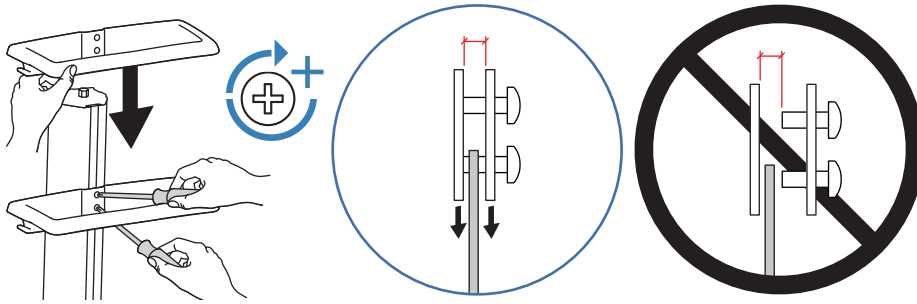
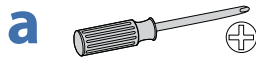
# 1 T-Slot



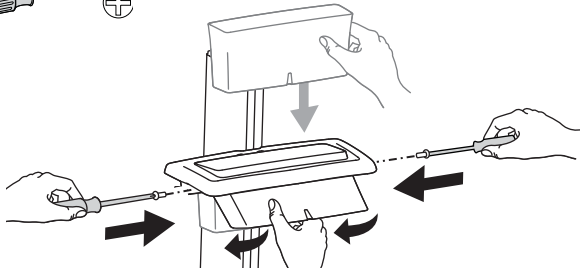
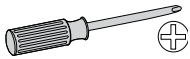
# 1 T-Slot

## 9

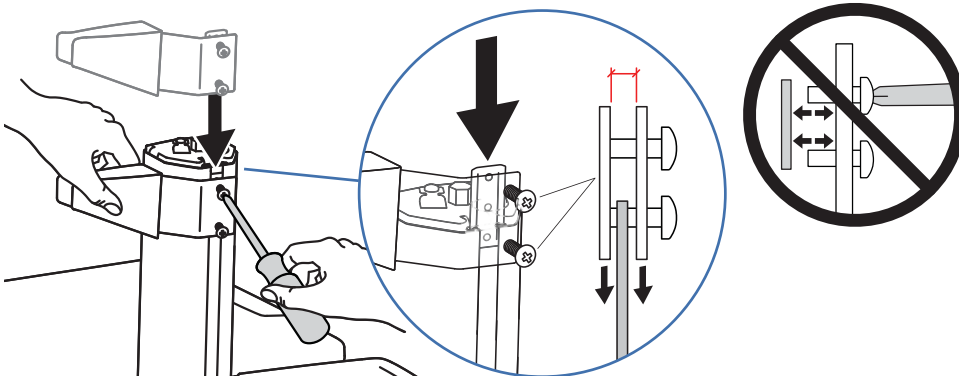
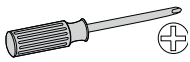
### a



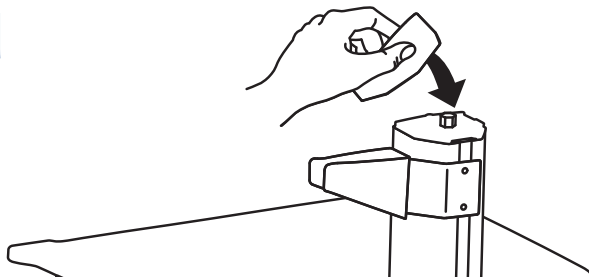
### b



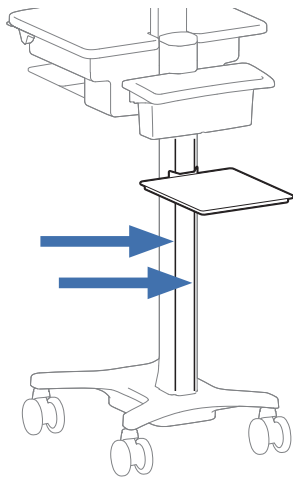
### c



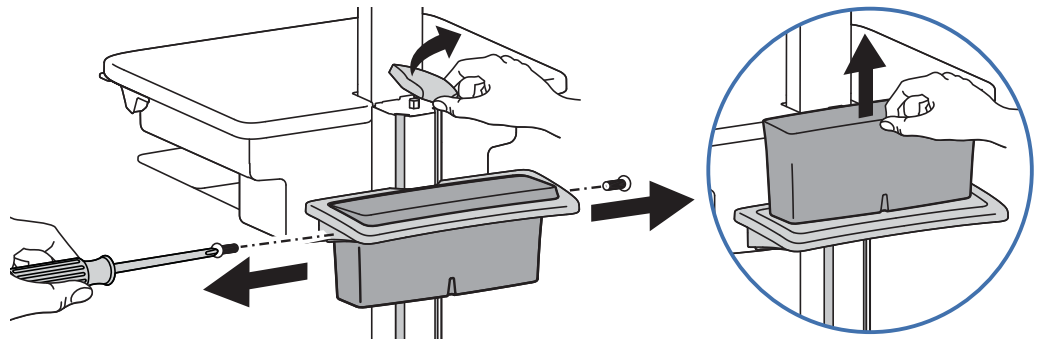
### d



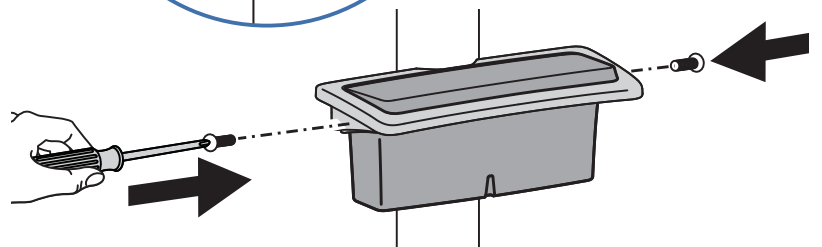
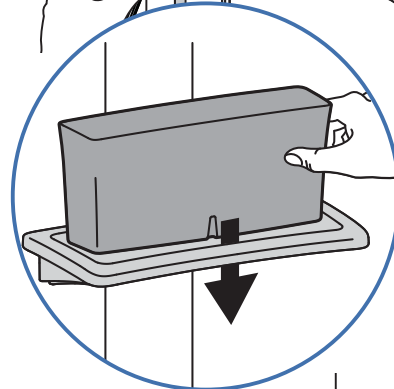
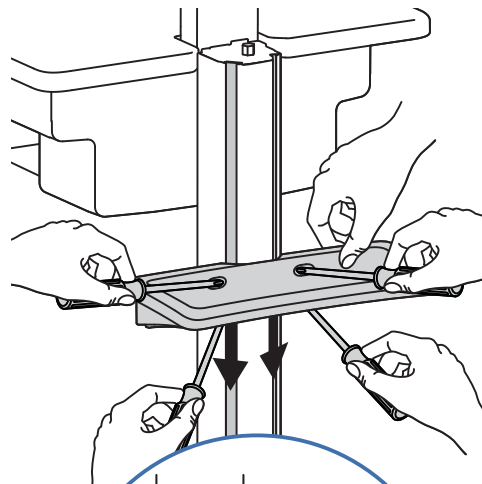
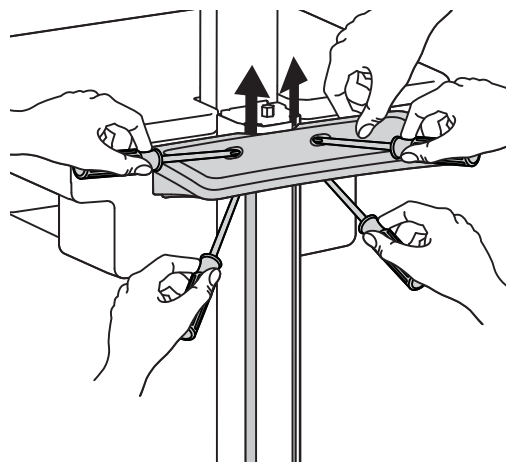
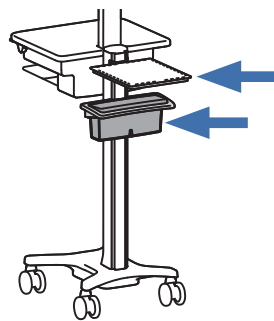
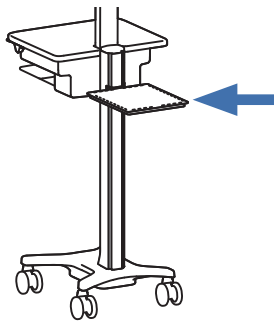
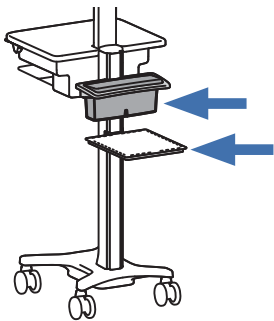
## 2 T-Slot



3



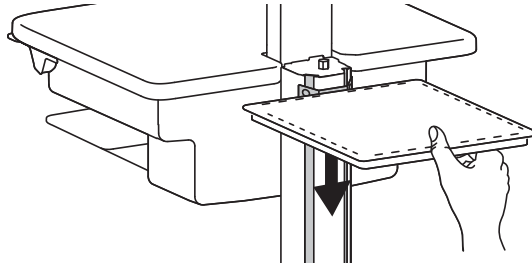
4





# 2 T-Slot

## 5



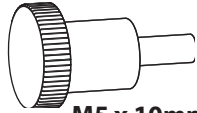
5-sided Security Wrench



5mm

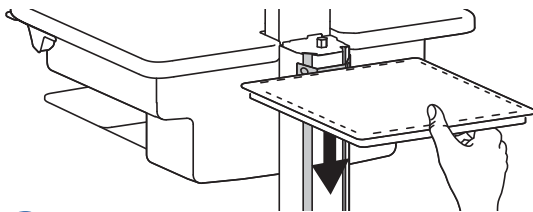


4x

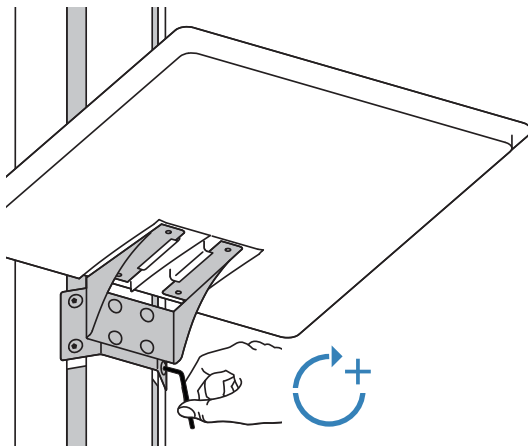


M5 x 10mm

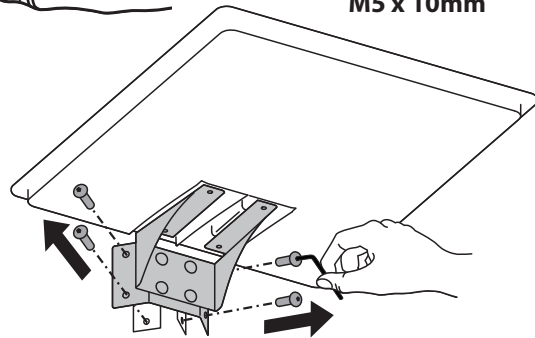
1



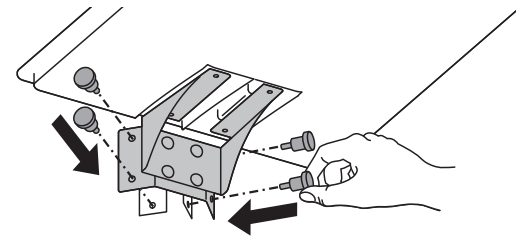
2



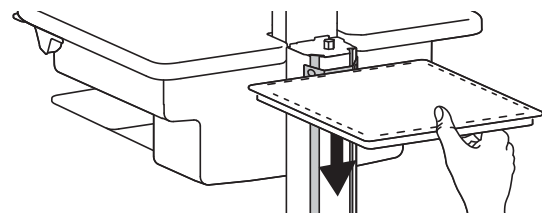
1



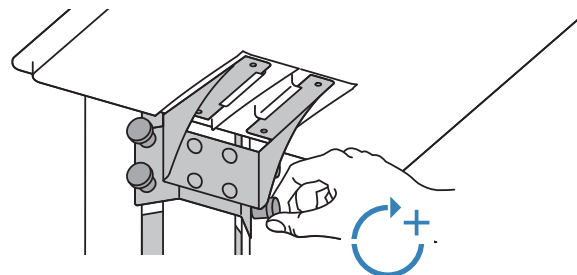
2



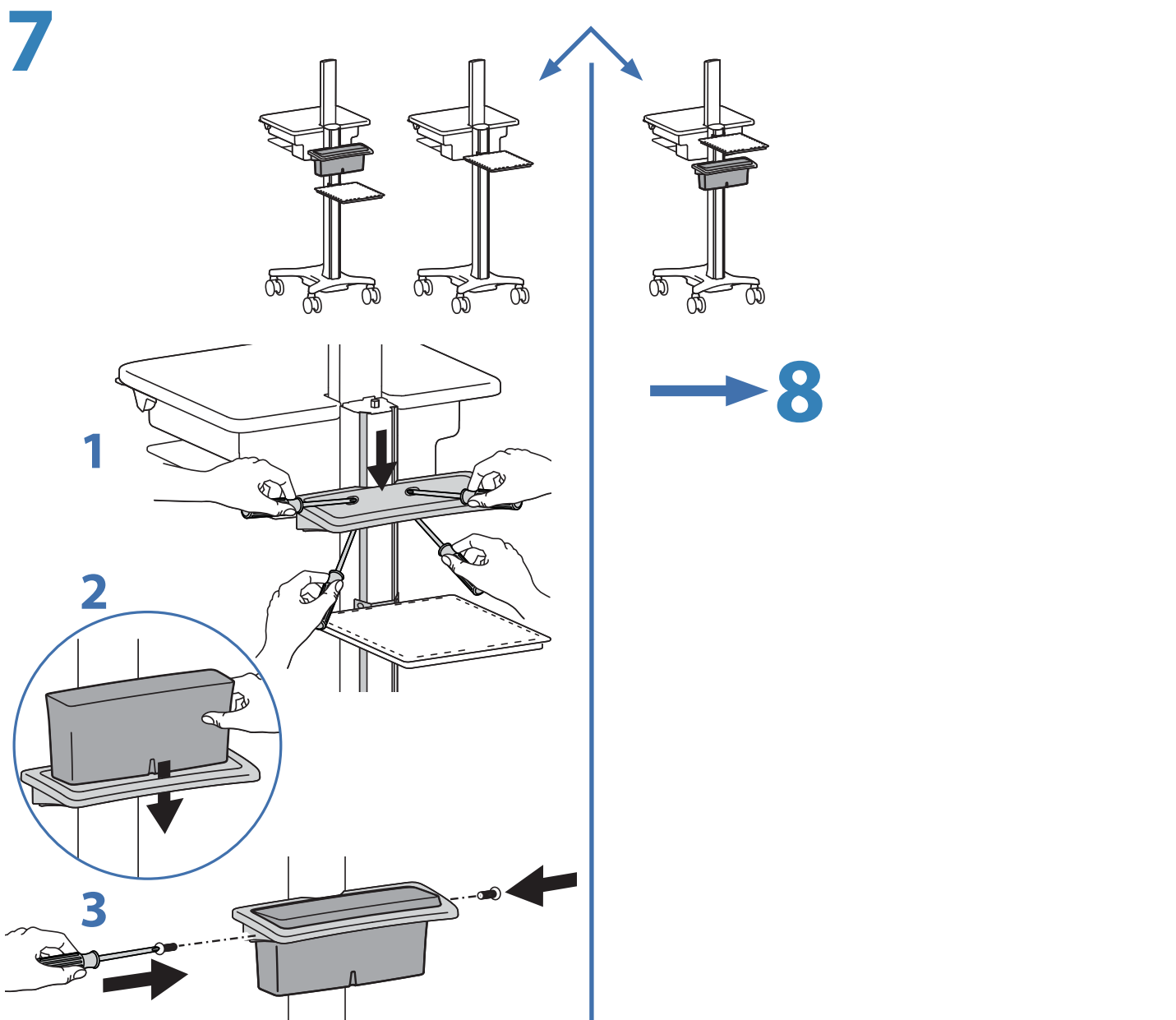
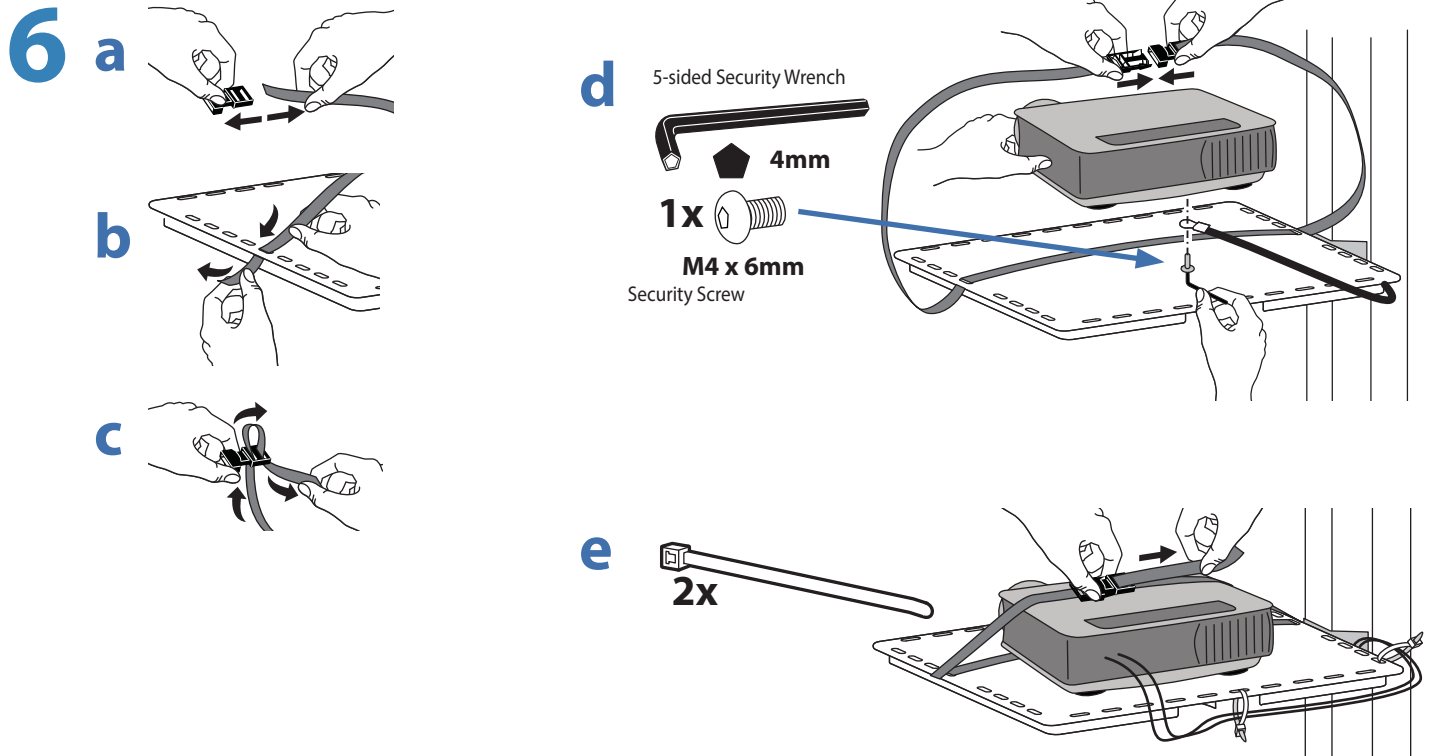
3



4

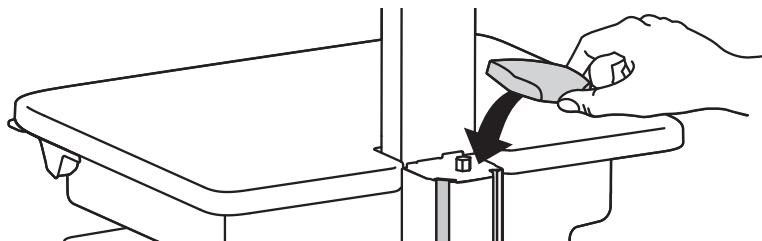


# 2 T-Slot



## 2 T-Slot

# 8



# ergotron®

For Warranty visit: [www.ergotron.com/warranty](http://www.ergotron.com/warranty)

For Service visit: [www.ergotron.com](http://www.ergotron.com)

For local customer care phone numbers visit: <http://contact.ergotron.com>

[www.ergotron.com](http://www.ergotron.com) | USA: 1-800-888-8458 | Europe: +31 (0)33-45 45 600 | China: 400-120-3051 | Japan: [japansupport@ergotron.com](mailto:japansupport@ergotron.com)

© 2014 Ergotron, Inc. All rights reserved.

While Ergotron, Inc. makes every effort to provide accurate and complete information on the installation and use of its products, it will not be held liable for any editorial errors or omissions (including those made in the process of translation from English to another language), or for incidental, special or consequential damages of any nature resulting from furnishing this instruction and performance of equipment in connection with this instruction. Ergotron, Inc. reserves the right to make changes in the product design and/or product documentation without notification to its users. For the most current product information, or to know if this document is available in languages other than those herein, please contact Ergotron. No part of this publication may be reproduced, stored in a retrieval system, or transmitted in any form or by any means, electronic, mechanical, photocopying, recording or otherwise without the prior written consent of Ergotron, Inc., 1181 Trapp Road, Eagan, Minnesota, 55121, USA Patents Pending and Patented U.S. & Foreign. Ergotron is a registered trademark of Ergotron, Inc.